

# LOCKABLE WALLSEND TROUGH



Choose from 3 tap styles:  
(L-R) Cam Action Bubbler, Push Button Bubbler or Eco Timed Flow Pillar tap  
(Image shows multiple tap styles for indicative purposes only - Padlocks not supplied)

## features and benefits

- Lockable lid to protect tapware
- Conforms to NSW DOC education standards
- Available pre-plumbed with NSW DOC approved wash/drinking taps
- Radius external corners - added safety
- Concealed tapware connections
- Standard and custom lengths
- Left or right hand waste position
- 50mm waste supplied
- Ideal for education projects

## about

The **BRITEX Stainless Steel Lockable Wallsend Trough** incorporates a lockable stainless steel lid that protects tapware from vandalism when not being used during school hours. Rounded front corners provide added safety. Available in custom lengths it can be supplied pre-plumbed with WaterMark and WELS certified hand wash taps and drinking bubblers conforming to NSW education standards.

## sample spec. text

### TLW- Trough Only (No Tapware)

*BRITEX Lockable Wallsend Trough - XXXXL x 390W x 150D. Complete with lockable lid, radius front corners, 300mm blade upstand to rear, left/right hand 50mm waste outlet and wall mounting brackets - Product Code TLW*

### TLWP - Pre-Plumbed with Tapware

*BRITEX Pre-Plumbed Lockable Wallsend Trough - XXXXL x 390W x 150D. Complete with X No. Pillar Taps/ Drinking Taps, radius front corners, left/right hand 50mm waste outlet and wall mounting brackets/wall mounting brackets and legs - Product Code TLWP-XXXX-X-TW-XXXX-XX-X*

\*RED TEXT may denote a variable where one option only is to be selected, a nominal dimension that needs to be specified, or an optional feature that can be removed if not required. Please refer to the back of this page for additional specification details and options.

VISIT [BRITEX.COM.AU](http://BRITEX.COM.AU) TO DOWNLOAD BIM FILES, CAD DRAWINGS AND THE MOST CURRENT PRODUCT LITERATURE.

# LOCKABLE WALLSEND TROUGH

PRODUCT CODE

**TLW** Trough only - no tapware

**TLWP** Pre-Plumbed Lockable Wallsend Trough

**HOW TO SPECIFY: Lockable Wallsend Trough**  
(PRE-PLUMBED optional)

Sample Specification Code

  A     B     C     D     E     F    
**TLWP - 1200 - 3 - TW-DP45 - WB - R**

= Pre-Plumbed Lockable Wallsend Trough with 3 Push Button Bubblers, 1200mm long, Brackets only, Right Hand Waste

Specification Key

**A = Product Code**  
TLW : Trough only  
TLWP : Pre-Plumbed

**B = Trough Length (mm)**

**C = Tap Quantity**

**D = Tap Code** (see below for suggested tapware options)

**E = Support Options**  
WB : Brackets only  
BL : Brackets and Legs

**F = Waste Outlet Position**  
L : Left Hand Waste  
R : Right Hand Waste

Common Trough and Tap Combinations:

1200mm - 3 taps      1600mm - 4 taps      2000mm - 5 taps  
2400mm - 6 taps

Taps installed 200mm in from each end and @ 400mm spacings

Suggested Tapware:

(see Tapware Section: 11 for complete range of options)



**TW-DP45**  
Push Button Bubbler



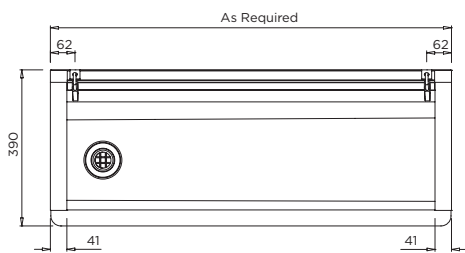
**TW-DC45**  
Cam Action Bubbler



**TW-9102**  
Eco Timed Flow Wash  
Safe Pillar Tap



**TW-0020**  
Vandal Resistant DPW  
(NSW) Deluxe Pillar Tap



MODEL TLW Plan

When specifying this product please include:

- Product Name and Code
- Product Dimensions
- Tapware details (if required)
- Position of Waste Outlet (left/right)

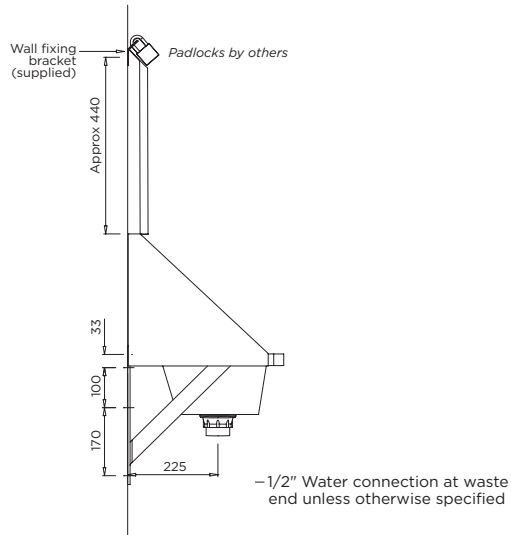
specifying guide

options

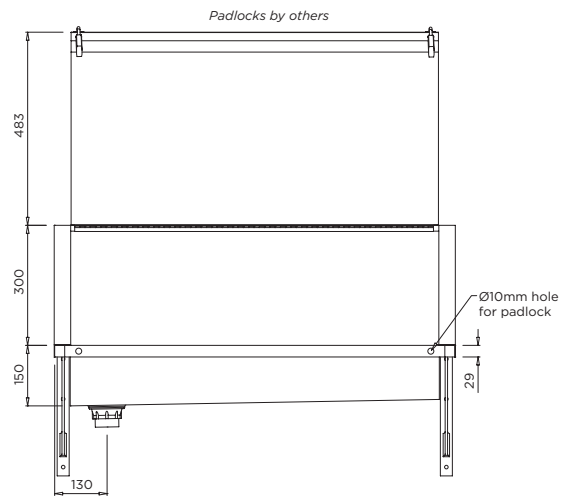
- Tapware - See Tapware Section: 11
- Pre-plumbed with tapware
- Tap holes
- Support legs
- Custom trough dimensions
- Left or right hand waste outlet

Suggested Trough Mounting Heights (mm)

	infant	primary	secondary
wash	550	650	700
drink	550	700	900



MODEL TLW Side Elevation



Troughs over 2000mm long are supplied with a centre support bracket

MODEL TLW Front Elevation

VISIT [BRITEX.COM.AU](http://BRITEX.COM.AU) TO DOWNLOAD BIM FILES, CAD DRAWINGS AND THE MOST CURRENT PRODUCT LITERATURE.

Last Revised Jun 2023



Due to ongoing research and our commitment to product development, details are subject to change without notice. Details accurate at time of print. Please refer to [britex.com.au](http://britex.com.au) for the most current product information. Allow +/- 5mm tolerance for dimensions and setouts shown in product literature.



[britex.com.au](http://britex.com.au) | [sales@britex.com.au](mailto:sales@britex.com.au) | A.B.N 83 004 309 737