

# Recessed Security Basin



Scan QR code to view our installation notes



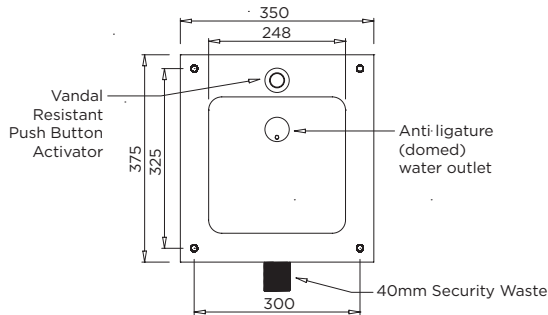
## SRB

### Product Info:

- Pre-plumbed with timed flow tapware
- Highly vandal & suicide resistant
- Space saving design
- Mounting & connections made from rear
- Plumbing & fixings hidden in wall cavity
- 40mm waste supplied
- Optional anti-ligature waste

### To order this item please advise:

- Waste type: standard or anti-ligature



## INSTALLATION NOTES

1) Fixture strength is ultimately determined by the load capacity of the supporting structure (noggins recommended for stud walls) and use of appropriate fixings. 2) Basin is affixed to support structure via four pieces of M12 All Thread integrated into rear of basin body. 3) Access must be provided to connect 1/2" water supply to tapware and 40mm trap for waste. 4) A silicon sealant or adhesive tape can be applied to the rear perimeter of flange for additional sealing and securing where required.

