

LONG DROP DISABLED PAN

2.15

TOILETS



Scan QR code
to view online



features and benefits

- Disability code AS1428 compliant
- Concealed fixings
- Safety radius front edges
- Left and right access panels
- Free of ligature points
- Option for permanently sealed access panels
- Option for 'Ambulant' model (raised height only)
- Suits public amenities

about

The *BRITEX Long Drop Disabled Pan* is seamless, fully shrouded and manufactured from heavy gauge grade 304 satin S.S. making it easy to clean and providing optimal strength. It is designed to conform to Australian Standard for disability access. Generally used in remote areas, parks and gardens, and road side comfort stations, these pit toilet pans are manufactured to be vandal resistant and incorporate a large radius to the edge for safety and comfort. The internal chute is contoured to reduce soilage and maximise hygiene and features a parallel collar for the inclusion of a flexible pipe fitting if required. Access panels come standard to both sides of the pan for easy installation and a toilet seat (without lid) can be fitted if required.

sample spec. text

BRITEX S.S. Long Drop Disabled Toilet Pan - 14mm safety radius front edge, fully shrouded to rear wall and 2 x access panels. AS 1428 compliant - Product Code PLDD

*RED TEXT may denote a **variable** where one option only is to be selected, a **nominal dimension** that needs to be specified, or an **optional feature** that can be removed if not required. Please refer to the back of this page for additional specification details and options.

VISIT BRITEX.COM.AU TO DOWNLOAD BIM FILES, CAD DRAWINGS AND THE MOST CURRENT PRODUCT LITERATURE.



MELBOURNE
Britex Place, Mirra Crt
Bundoora VIC 3083
t (03) 9466 9000
f (03) 9466 9011

SYDNEY
16 Northumberland Drv
Taren Point NSW 2229
t (02) 9531 2100
f (02) 9531 2800

PERTH
Unit 1/8 Principal Link
Malaga WA 6090
t (08) 9249 5464
f (08) 9248 6893

BRISBANE
19 Manilla St
East Brisbane QLD 4169
t (07) 3363 2400
f (07) 3363 2444

ADELAIDE
The Britex Group
SA State Office
t 1300 764 744
f 1300 784 306

britex.com.au | info@britex.com.au | A.B.N 83 004 309 737

#PLDD / LONG DROP DISABLED PAN

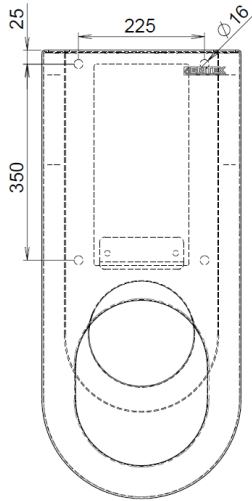
LONG DROP DISABLED PAN

PRODUCT CODE

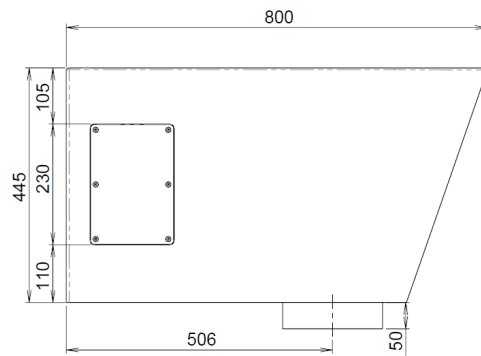
PLDD

2.15

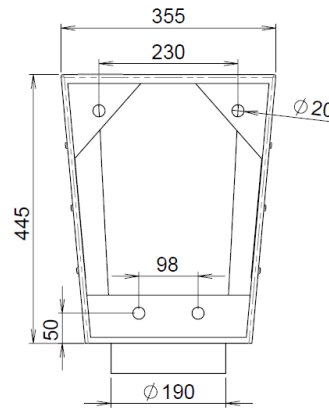
TOILETS



MODEL PLDD Plan



MODEL PLDD Side Elevation



MODEL PLDD Rear Elevation



When specifying this product please include:

- Product **Name** and **Code**
- Product **Dimensions**
- Product **Features / Options**
- **Seat Model** (if required)



- Toilet Seat
(Long Drop Pans are compatible with no lid toilet seats only)
- Backrest as required by AS1428

VISIT BRITEX.COM.AU TO DOWNLOAD BIM FILES, CAD DRAWINGS AND THE MOST CURRENT PRODUCT LITERATURE.

Last Revised Feb 2023 | C