

# LONG DROP AMBULANT PAN

2.16

TOILETS

#PLDAM / LONG DROP AMBULANT PAN



Scan QR code  
to view online



## features and benefits

- AS1428 compliant, ambulant toilets
- Ultra vandal resistant
- Safety radius front edge
- Free of ligature points
- Concealed fixings
- Satin Stainless finish
- Option for fitted toilet seat
- Suits public amenities
- Option for permanently sealed access panels

## about

The *BRITEX Long Drop Ambulant Toilet Pan* is seamless, fully shrouded and manufactured from heavy duty grade 304 satin S.S. making it easy to clean and providing optimal strength. It is designed to conform to Australian Standard, Design for Access and Mobility - AS1428, with respect to ambulant users. Generally used in remote areas, parks and gardens, and road side comfort stations, these pit toilet pans are manufactured to be vandal resistant and incorporate a large radius to the edge for safety and comfort. The internal chute is contoured to reduce soilage and maximise hygiene and features a parallel collar for the inclusion of a flexible pipe fitting if required. Access panels come standard to both sides of the pan for easy installation and a lidless toilet seat can be fitted if required.

## sample spec. text

*BRITEX S.S. Long Drop Ambulant Toilet Pan - 14mm safety radius front edge and 2 x side access panels, fully shrouded to rear wall. Complete with fitted toilet seat, code XXXX. - Product Code PLDAMXX*

\*RED TEXT may denote a **variable** where one option only is to be selected, a **nominal dimension** that needs to be specified, or an **optional feature** that can be removed if not required. Please refer to the back of this page for additional specification details and options.

VISIT [BRITEX.COM.AU](http://BRITEX.COM.AU) TO DOWNLOAD BIM FILES, CAD DRAWINGS AND THE MOST CURRENT PRODUCT LITERATURE.



**MELBOURNE**  
Britex Place, Mirra Crt  
Bundoora VIC 3083  
t (03) 9466 9000  
f (03) 9466 9011

**SYDNEY**  
16 Northumberland Drv  
Taren Point NSW 2229  
t (02) 9531 2100  
f (02) 9531 2800

**PERTH**  
Unit 1/8 Principal Link  
Malaga WA 6090  
t (08) 9249 5464  
f (08) 9248 6893

**BRISBANE**  
19 Manilla St  
East Brisbane QLD 4169  
t (07) 3363 2400  
f (07) 3363 2444

**ADELAIDE**  
The Britex Group  
SA State Office  
t 1300 764 744  
f 1300 784 306

[britex.com.au](http://britex.com.au) | [info@britex.com.au](mailto:info@britex.com.au) | A.B.N 83 004 309 737

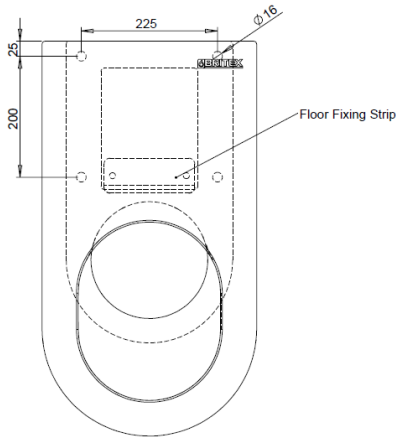
# LONG DROP AMBULANT PAN

2.16

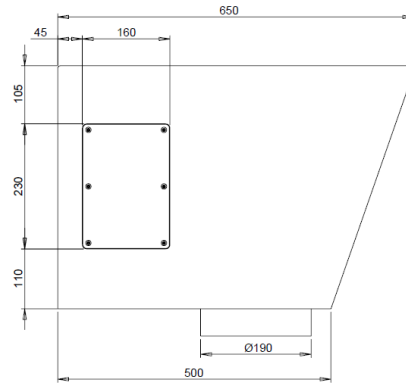
TOILETS

#PLDAM / LONG DROP AMBULANT PAN

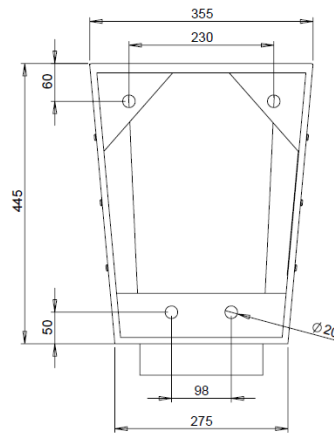
## PLDAM



MODEL PLDAM Plan



MODEL PLDAM Side Elevation



MODEL PLDAM Rear Elevation

specifying  
guide

*When specifying this product please include:*

- Product **Name** and **Code**
- Product **Dimensions**
- Product **Features / Options**
- **Seat Model** (if required)

options

- Toilet Seat see p 2.18  
(Long Drop Pans are compatible with no lid toilet seats only)

VISIT [BRITEX.COM.AU](http://BRITEX.COM.AU) TO DOWNLOAD BIM FILES, CAD DRAWINGS AND THE MOST CURRENT PRODUCT LITERATURE.

Last Revised Feb 2023 | B