

Venetian Wash Basin

HBVEN

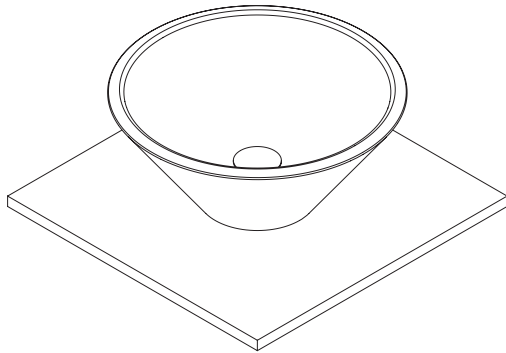


Scan QR code
to view our
installation notes



Product Info:

- Hand made, seamless design
- Satin finish stainless steel
- Double-skinned robust construction
- In-built overflow
- 40mm pop-up waste supplied
- Safety radius edge



INSTALLATION NOTES

1) Penetration in bench top will need to be provided to connect waste outlet. 2) Basin must be caulked around base to provide water seal and to fix in position.

