

# MULTI KNEE OPERATED BASIN



**WELS REG #**  
Low-level Spout - **T38022**  
Gooseneck Spout - **T36832**



## features and benefits

- Made to custom lengths
- Incorporates multiple wash stations
- Supplied pre-plumbed ready to install
- Only one water and waste connection
- Hands-free tap activation
- Prevents cross-contamination
- No electrical connections
- Includes pressure limiting valve
- Grade 304 S.S.
- 40mm waste outlets supplied
- Heavy duty stainless steel brackets
- Low level or gooseneck spout option
- Ideal for schools, food prep areas, factories and processing facilities

## about

The *BRITEX Stainless Steel Multi Knee Operated Basin* is ideal in areas where multiple users need to wash their hands simultaneously and avoid cross-contamination by using hands free tapware. Common installation areas include food handling, processing, manufacturing facilities and workshops. The tap is activated by leaning against the front push panels, eliminating the need for electronic / mains powered tapware. Supplied pre-plumbed and easy to install, the Multi Knee Operated Basin is extremely heavy duty and comes complete with wall brackets, spouts, pressure limiting valve and 40mm waste outlets.

## sample spec. text

*BRITEX S.S. Multi Knee Operated Basin - XXXXL x 500W x 250H O/A. 11 litre bowl capacities. Unit to have X No. pre-plumbed Knee Operated Wash Stations. Supplied pre-plumbed with goose neck type spout, front push panels, mixing unit, pressure limiting valve, wall mounting brackets and 40mm basin outlets - Product Code HBMKO-XXXX-X*

\*RED TEXT may denote a **variable** where one option only is to be selected, a **nominal dimension** that needs to be specified, or an **optional feature** that can be removed if not required. Please refer to the back of this page for additional specification details and options.

VISIT [BRITEX.COM.AU](http://BRITEX.COM.AU) TO DOWNLOAD BIM FILES, CAD DRAWINGS AND THE MOST CURRENT PRODUCT LITERATURE.



**MELBOURNE**  
Britex Place, Mirra Crt  
Bundoora VIC 3083  
t (03) 9466 9000  
f (03) 9466 9044

**SYDNEY**  
16 Northumberland Drv  
Taren Point NSW 2229  
t (02) 9531 2100  
f (02) 9531 2800

**PERTH**  
Unit 1/8 Principal Link  
Malaga WA 6090  
t (08) 9249 5464  
f (08) 9248 6893

**BRISBANE**  
19 Manilla St  
East Brisbane QLD 4169  
t (07) 3363 2400  
f (07) 3363 2444

**ADELAIDE**  
The Britex Group  
SA State Office  
t 1300 764 744  
f 1300 784 306

[britex.com.au](http://britex.com.au) | [info@britex.com.au](mailto:info@britex.com.au) | A.B.N 83 004 309 737

# MULTI KNEE OPERATED BASIN

PRODUCT CODE

## HBMKO

### HOW TO SPECIFY: Multi Knee Operated Basin

Sample Specification Code

A
B
C  
**HBMKO - 1800 - 3**

= Multi Vanity Inset Hand Basin, 1800mm Long with 3 Bowls

#### Specification Key

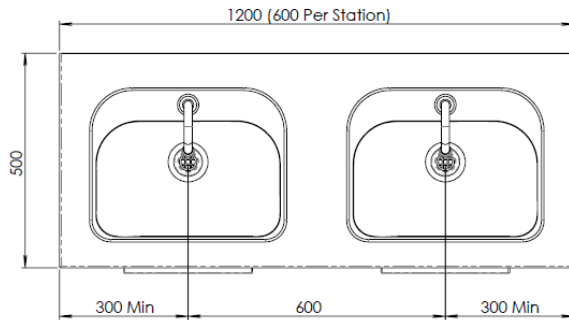
A = Product Code

C = No. of Bowls

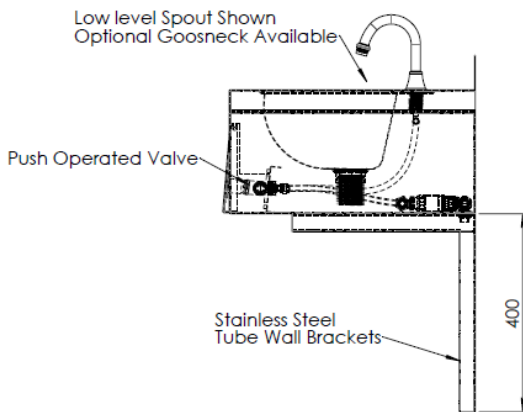
B = Overall Length (mm)

#### Standard Sizes:

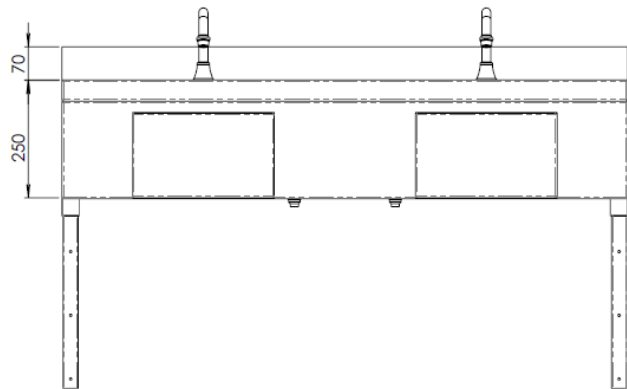
1200mm - 2 bowls	2400mm - 4 bowls	3600mm - 6 bowls
1800mm - 3 bowls	3000mm - 5 bowls	4200mm - 7 bowls



MODEL HBMKO Plan



MODEL HBMKO Side Elevation



MODEL HBMKO Front Elevation

specifying guide

When specifying this product please include:

- Product Name and Code
- Product Dimensions
- No. of wash stations

options

- Splashback Panel - Up to 500mm High
- Custom lengths
- Legs with adjustable feet

VISIT [BRITEX.COM.AU](http://BRITEX.COM.AU) TO DOWNLOAD BIM FILES, CAD DRAWINGS AND THE MOST CURRENT PRODUCT LITERATURE.

Last Revised Apr 2024 | C