

Bellagio Wash Basin



HBDEL-A
Square Edge Bowl

Scan QR code
to view our
installation notes



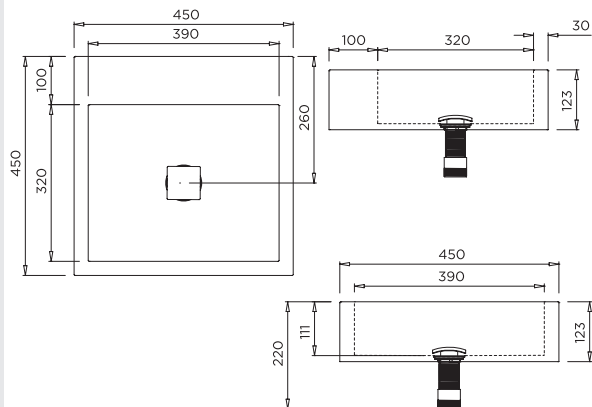
HBDEL-B
Radius Cornered Bowl



HBDEL-C
Concave Bowl

Product Info:

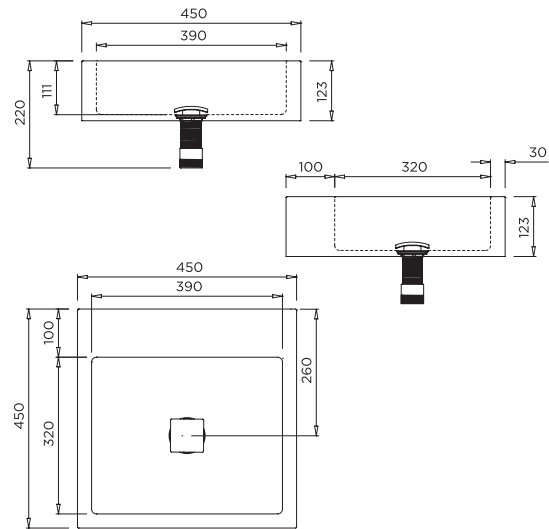
- Choice of internal bowl shapes
- Modern, square profile
- Hand made, seamless design
- Satin finish stainless steel
- Double-skinned robust construction
- 40mm waste with square cover supplied
- 1, 2 or 3 tap holes



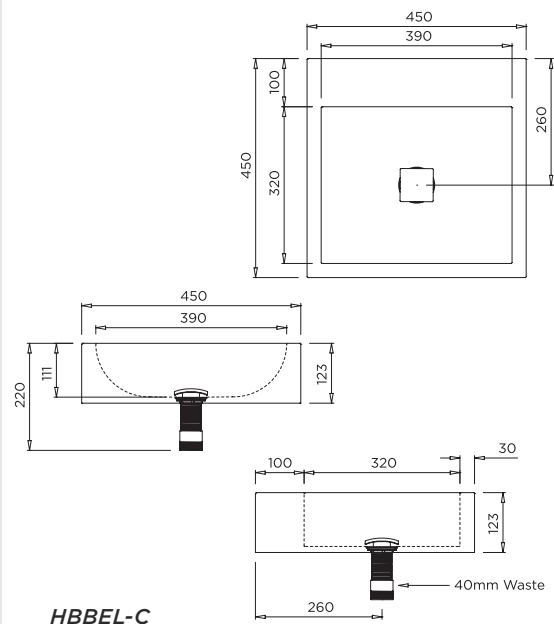
HBDEL-A

INSTALLATION NOTES

1) Penetration in bench top will need to be provided to connect waste outlet. 2) Basin must be caulked around base to provide water seal and to fix in position.



HBDEL-B



HBDEL-C



Due to ongoing research and our commitment to product development, details are subject to change without notice. Details accurate at time of print

Please refer to britex.com.au for the most current product information. Allow +/- 5mm tolerance for dimensions and setouts shown in product literature.

Last Revised June 2017