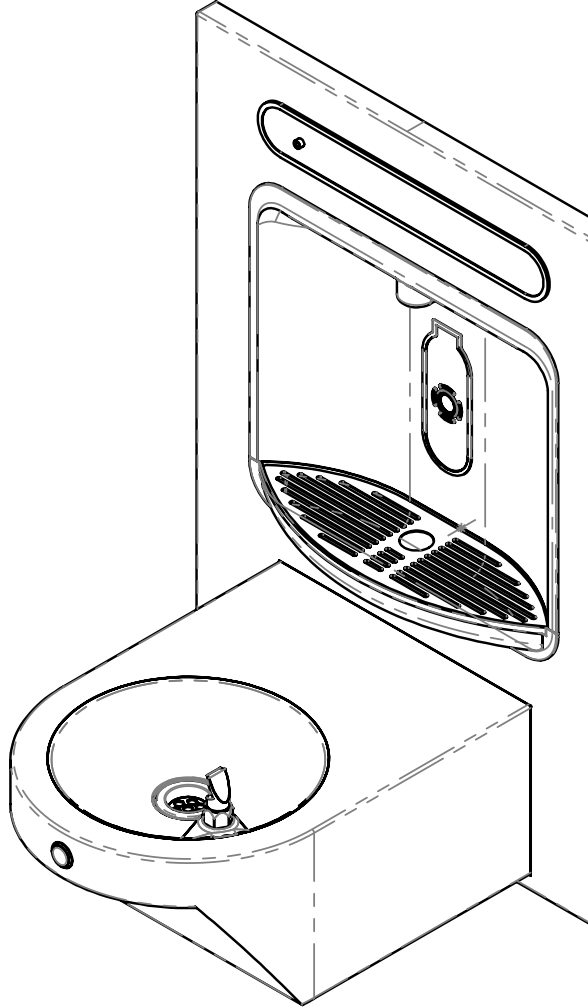


# DDR1-D-HFBF | DDR1-D-R-HFBF

## *Dado Round Drinking Fountain with Hands Free Bottle Filler*

### Installation Guide



**MELBOURNE**  
Britex Place Mira Crt  
Bundoora VIC 3083  
t (03) 9466 9000  
e vic@britex.com.au

**SYDNEY**  
16 Northumberland Drv  
Taren Point NSW 2229  
t (02) 9531 2100  
e nsw@britex.com.au

**PERTH**  
Unit 1/8 Principal Link  
Malaga WA 6090  
t (08) 9249 5464  
e wa@britex.com.au

**BRISBANE**  
19 Hanilla St  
East Brisbane QLD 4169  
t (07) 3363 2400  
e qld@britex.com.au

**ADELAIDE**  
The Britex Group  
SA State Office  
t 1300 764 744  
e sa@britex.com.au

## IMPORTANT

ALL SERVICE TO BE PERFORMED BY AN AUTHORISED SERVICE PERSON

*Installation of this unit must be in accordance with AS/NZS 3500.1, AS/NZS 3500.2, the PCA and the local regulatory requirements. Water and/or electrical supply conditions must comply to national or state requirements and standards. Failure to comply shall void the product warranty and may affect the performance of the product. For further support and after-sales care, please contact Britex.*

## WARNING

WHEN INSTALLATION IS COMPLETE, ENSURE THESE INSTRUCTIONS REMAIN INSIDE THE PLASTIC BAG PROVIDED WITH THE UNIT FOR FUTURE REFERENCE

## About

The BRITEX Stainless Steel Dado Round Drinking Fountain with Hands-Free Bottle Filler is a stylish, versatile fixture supplied with an accessible drinking station. This unit comes complete with front piezo timed flow lead-safe bubblers, a hygienic hands-free lead-safe bottle filler, splashback panel, waste outlets, mounting bracket and concealed access. Manufactured from commercial grade 304 stainless steel. Refrigerated models are supplied with a separate remote chiller unit for installation within wall cavity.

## Preparation and Completion Notes

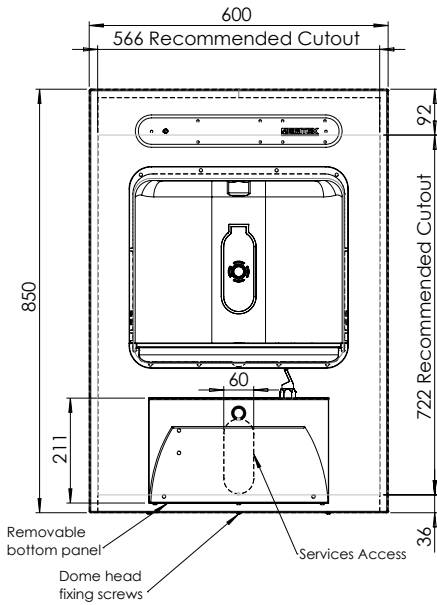
**Contractors please note:** Ideally, stainless steel drinking fountain should be installed after all other building activities that could cause contamination to the surface of the stainless steel have been completed.

These activities include:

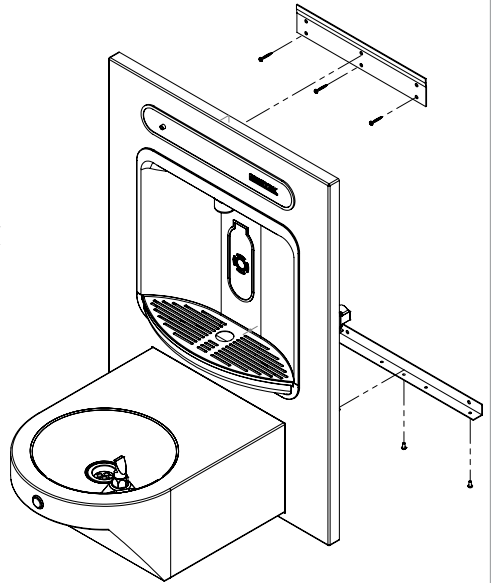
Using proprietary building mortar removers containing hydrochloric acid. Welding, cutting and grinding that may 'spray' carbon steel and iron particles onto the stainless-steel surface.

1. Remove drinking fountain from box packaging and inspect for any damage before beginning installation process.
2. Confirm all requested details are correct.
3. If the drinking fountain is damaged in transit or if any details are not as requested, do not install it. Notify Britex immediately within 24 hours of receiving the product.
4. Bottle filler sensor assembly requires a standard GPO.

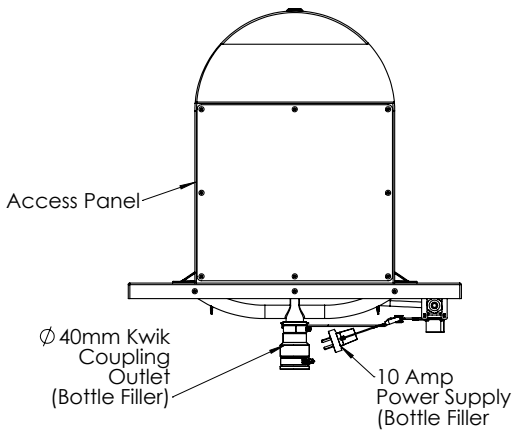
# DDR1-D-HFBF Installation Drawing



(A)



(B)



(C)

# Installation Instructions

1. Place unit on wall and mark the top, ensuring top of basin is between 695-700 as per AS1428.2. Please refer to the recommended cut outs (figure A).
2. Mark the location of the joggle strip and fix it to the wall.
3. Mark location for bottom fixing strip and fix it to the wall.
4. Place unit on the top of the joggle strip while holding the bottom of the unit away from the bottom fixing angle.
5. Push the bottom of the unit over the bottom fixing strip and insert the bottom fixing screws. (figure B)
6. Plumbing can be accessed through bottom panel.
7. Connect all the plumbing to the unit for the drinking fountain and bottle filler. Unit is supplied with 40mm waste outlet for basin and 40mm Kwik coupling outlet for bottle filler.
8. The hands-free bottle filler requires a 10 amp GPO. (figure C)
9. Once everything is connected, then you need to ensure all the fitting are watertight and the bottle filler and drinking fountain are working to the desired degree.

Note: GPO required for bottle filler and re Fridgerated version. Drinking fountain is battery operated

### **For cold water Refrigerated model, then please allow for the following steps.**

1. Place the refrigeration unit in the cavity, ensure there is a 10-amp standard power outlet.
2. This unit to be installed in a cavity not less than 700mm wide. A vent should be installed adjacent to the fan aperture. The remote unit must have 25mm at front and back of the unit, the unit can be installed flush against either side wall of the cabinet.
3. Unit is 'remotely' located whether that's in a cupboard space with adequate ventilation or in a janitorial/services room ideally adjacent to the fountain.

### **PLEASE NOTE: Battery Powered Piezo Button**

#### **This unit is preset and locked to flow for 7 seconds and cannot be adjusted.**

**PLEASE READ:** This unit has an automatic 24 hour purge setting (hygiene rinse) to remove any stagnant water. This will reduce the amount of metals that may leach into the water from the plumbing system, and assist in minimising the growth of bacteria such as Legionella. This function is activated at the time the unit is first live (switched on). The unit will then automatically flush at this time if the unit has been inactive for 24 hours.

**PLEASE READ:** If this unit is preplumbed with your product please note that it has been tested and to flow for 7 seconds and will be installed with a blue ring.

**PLEASE READ:** Ensure all supply lines are flushed thoroughly to remove debris prior to the installation. Strainers are recommended if debris is an ongoing problem.

## How to Activate the Piezo Button and Bottle Filler



### Drinking Fountain

- Press the button once to activate.
- The water will flow for the set duration of 7 seconds and turn off automatically.
- Alternatively press the button at any time to turn off.

**DO NOT** OPERATE PIEZO FOR 20 MINUTES IF YOU HAVE UNPLUGGED AND REPLUGGED THE BATTERY. IF SO, THEN YOU MUST FOLLOW THE RE-PROGRAMMING STEPS SHOWN IN TROUBLE SHOOTING.

### Bottle Filler

- Place bottle on inwall bottle place holder
- Bottle must be place inline with sensor eye
- Operation will start and run for 20 seconds

## Technical Parameters

<b>Inlet Connection</b>	1/2" BSP Male along with other parts as stipulated in the drawing
<b>Recommended Inlet Pressure</b>	350 kPa
<b>Maximum Inlet Pressure</b>	500 kPa
<b>Chilled Water Supply Temperature Limitations</b>	4-15°C
<b>Outlet Connection</b>	40mm waste & 40mm Kwik Coupling outlet

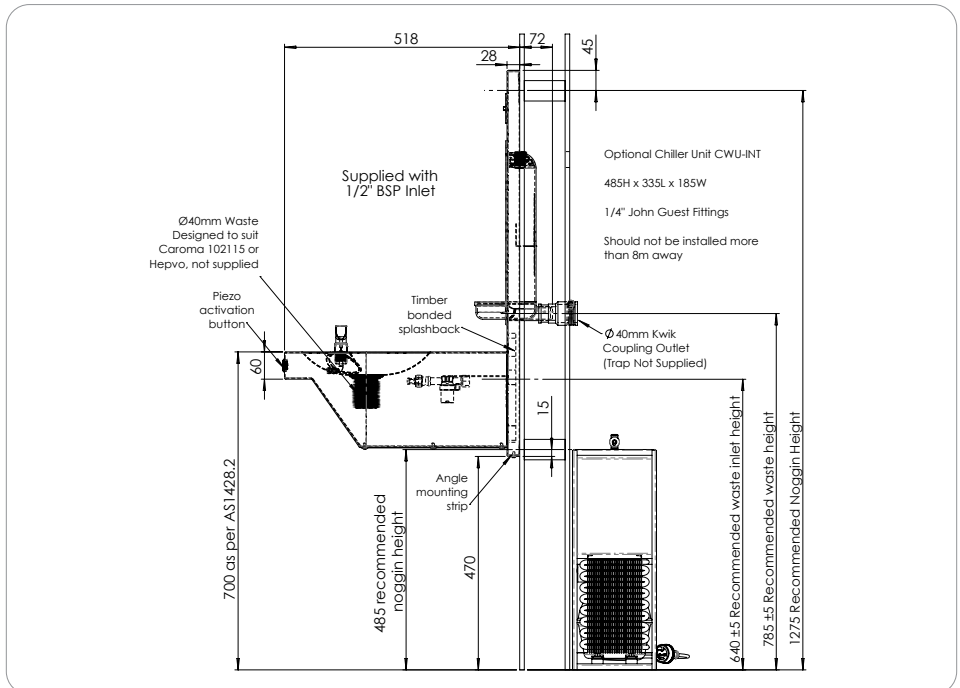
## Specifications for Piezo Button

<b>Inlet</b>	G 1/2" BSP - Female
<b>Outlet</b>	G 1/2" BSP - Male
<b>Working Pressure (kPa)</b>	Min 50 Max 500
<b>Working Temperature Range (°C)</b>	Min 5°C - Max 60°C
<b>Headwork</b>	Solenoid Valve



14. 1 x 74-02-0010 Adapter Female 1/2" BSP x 10mm Tube
15. 1 x 74-05-0037 BRITEX 256 Aerator Adaptor M22MI x AER x 15mm BSP
16. 1 x 74-02-0012 Tube Black 10mm LLDPE # PE-1007-100M E
17. 1 x 74-05-0038 Cascade Insert with housing female M22x1
18. 1 x 74-02-0010 Adapter Female 1/2" BSP x 10mm Tube
19. 1 x 74-05-0035 Bracket
20. 1 x 74-02-0013 Adapter straight Male 1/2" BSP x 10mm Tube
21. 1 x Mounting bracket for HFBF Outlet
22. 1 x Mounting joggle for backplate
23. 1 x 74-03-0052 Fernco Coupling (Plumb quick) # 1056-40/32MA
24. 1 x 74-05-0031 TB35 12-volt sensor
25. 1 x 2.1mm DC socket with screw terminals and wiring loom
26. 1 x 74-05-0033 Adapter Mains 12V DC400MA
27. 1 x 96-02-0021 M5 x 20 Button head allen screw

## DDR1-D-HFBF Drawing



## Troubleshooting Drinking Fountain

Water pressure issue if it is too low, then the unit will not produce the desired amount of flow into the drinking bottle.

Ensure the unit is working to the desired degree, the outlet should be free from debris.

If water is leaking from the unit establish where it is coming from. If it is on any of the inlet or outlet connections, tighten these as required.

## Troubleshooting for DDR1-D

PROBLEM	CAUSES	ACTION
Water Not Cold	Loss of gas or failed fan	Contact manufacturer
Power supply to Chiller unit	No Power Supply	Turn on water
Inconsistent flow	Blocked flow regulator screw	Remove flow regulator screw and clean
Water is not flowing from tap	Water is turned off	Turn on water
	Blocked flow regulator screw	Remove regulator screw and clean
Rate of flow inadequate	The flow regulator screw may not be adjusted correctly	Remove blanking screw and adjust flow regulating screw as described above

## Troubleshooting for Piezo Button

SYMPTOM	CAUSES	ACTION
Inconsistent flow	Blocked flow regulator screw	Remove flow regulator screw and clean
Water is not flowing from tap	Water is turned off	Turn on water
	Blocked flow regulator	Remove regulator screw and clean
Rate of flow inadequate	The flow regulator screw may not be adjusted correctly	Remove blanking screw and adjust flow regulation screw as described above.

If the timing of the drinking tap has been changed by unplugging the battery, then please follow the instructions to reset.

To reprogram the taps manually, please follow these steps:

1. Disconnect the power
2. Connect the power
3. Press the button 4x times
4. Wait 5 seconds after which the water will flow and then stop automatically.
5. Press the button 5 times
6. Water will start to flow, after the desired flow duration is achieved press the button to set flow duration time

**Note:** It's crucial not to interact with the piezo for 20 minutes after programming or reconnecting to power to ensure the settings are locked in.



## Spare Parts



### 74-08-0106

Battery Pack 6V DC with 6mm Dia. 2 Pin Plug (suits electronic button and Solenoid unit) (For Drinking Fountain)



### CWU-INT

- This unit **MUST** be installed in a **Vertical Orientation**
- This unit **MUST** be installed with a **Pressure Relief Valve (supplied)**
- This unit **MUST** be installed with **Ventilation**



The control module which is 74-05-0031 TB35-2-12-volt Sensor together with 74-05-0040 2.1mm DC Socket with screw terminals. (For Bottle Filler)



The Solenoid valve 74-05-0034 Solenoid Valve 12V DC 1/2 BSP WMK Approved. (For Bottle Filler)



The power supply which is 74-05-0033 Adapter Mains SMPS 12V DC400MA SLIM 7DC Plug. (For Bottle Filler)

## Care and Maintenance

Stainless steel products should be kept clean at all times. The secret to stainless steel's ability to maintain a high-quality finish and promises of a long-life expectancy is the invisible chromium-oxide film that sits on the surface and protects the steel beneath. To maintain this film, it is essential that the surface remains clean and in constant contact with oxygen. If this film is penetrated (either by abrasion or chemically) and dirt, liquid, grime contaminants embed themselves in these micro chasms for an extended period, the chromium oxide film will not be able to regenerate and the steel below will eventually become damaged and discoloured.

### ***What we recommend for general cleaning and maintenance:***

#### **Cleaning Materials:**

- A soft cloth
- A soft-bristled brush
- A natural or artificial sponge

#### **Cleaning Solutions:**

- Hand washing soap / soft water solution
- Mild soap / soft water solution
- White vinegar / soft water solution

It is recommended that general cleaning of stainless-steel surfaces be carried out weekly, or as soon as a build-up of surface media has been observed. To clean, simply wash stainless steel surfaces with, warm, diluted, mild soapy water using a cloth or soft bristled brush. Once all dirt, oil and grime is removed, rinse thoroughly with clean water and wipe dry.

## Warranty

The BRITEX product is backed by our manufacturer's warranty available for download from our website at [www.britex.com.au](http://www.britex.com.au). We expressly warrant that the product is free from operational defects in workmanship and materials for the warranty period indicated on the schedule in the manufacturer's warranty. During the warranty period, BRITEX will repair or replace any defective products manufactured by BRITEX at no charge, provided that the terms of the manufacturer's warranty are followed.

This warranty is the only warranty given by BRITEX, and we expressly disclaim all other warranties, including but not limited to implied warranties of merchantability and fitness for a particular purpose. This warranty represents the sole and exclusive remedy for breach of warranty, and BRITEX shall not be liable for any incidental, special, or consequential damages, including lost profits, labor charges, delays, vandalism, negligence, fouling caused by foreign material, damage from adverse water conditions, chemical, electrical or any other circumstances beyond BRITEX's control.

This warranty shall be void if the product is abused, misused, improperly installed, maintained, or altered. By purchasing our product, you agree to these terms and conditions. We appreciate your business and look forward to providing you with high-quality products and services.



**MELBOURNE**  
Britex Place Mira Crt  
Bundoora VIC 3083  
t (03) 9466 9000  
e vic@britex.com.au

**SYDNEY**  
16 Northumberland Drv  
Taren Point NSW 2229  
t (02) 9531 2100  
e nsw@britex.com.au

**PERTH**  
Unit 1/8 Principal Link  
Malaga WA 6090  
t (08) 9249 5464  
e wa@britex.com.au

**BRISBANE**  
19 Manilla St  
East Brisbane QLD 4169  
t (07) 3363 2400  
e qld@britex.com.au

**ADELAIDE**  
The Britex Group  
SA State Office  
t 1300 764 744  
e sa@britex.com.au