

IN WALL TUNDISH



Model D-TDW-A



Model D-TDW-B

features and benefits

- Standard and custom sizes available
- Removable inspection window
- Purpose built to suit your specific application
- Quality components for durability
- Manufactured from grade 316 stainless steel

about

The *BRITEX In Wall Tundish* is manufactured from 1.2mm satin finish stainless steel and comes complete with a removable inspection window allowing for visibility to detect blockages and ensure ease of cleaning. It is primarily used as a discharge point in refrigeration and air conditioning wastes for conditioning wastes for condensation and waste water. The In Wall Tundish is commonly used in hospitals, apartment buildings, medical centres and aged care facilities.

sample spec. text

BRITEX 1.2 grade 316 S.S. In Wall Tundish - 190mm wide x 130mm high x 68mm deep supplied complete with removable inspection window and 40mm BSP connection - Product Code D-TDW

*RED TEXT may denote a **variable** where one option only is to be selected, a **nominal dimension** that needs to be specified, or an **optional feature** that can be removed if not required. Please refer to the back of this page for additional specification details and options.

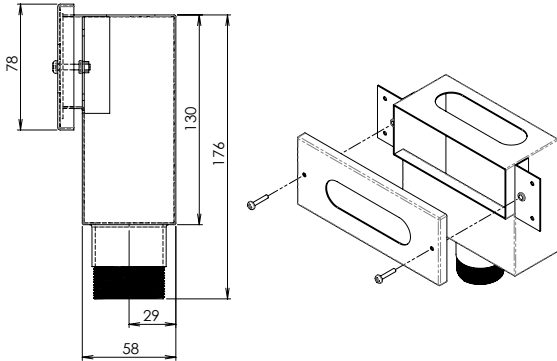
VISIT BRITEX.COM.AU TO DOWNLOAD BIM FILES, CAD DRAWINGS AND THE MOST CURRENT PRODUCT LITERATURE.

IN WALL TUNDISH

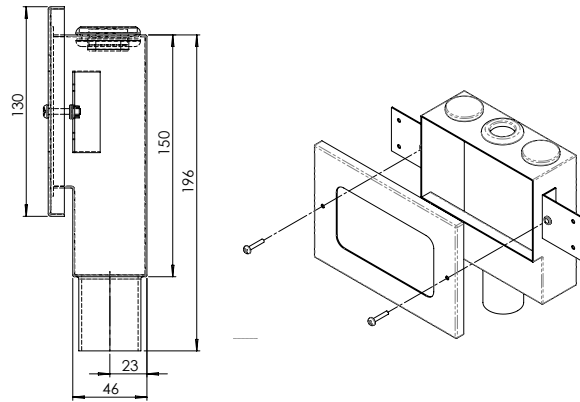
PRODUCT CODE

D-TDW-A D-TDW-B

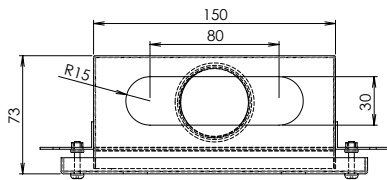
TANKS & DRAINAGE



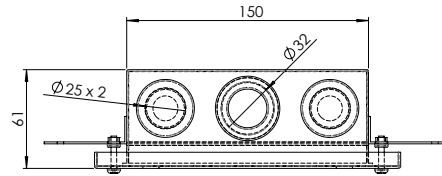
MODEL D-TDW-A Side Elevation and Isometric View



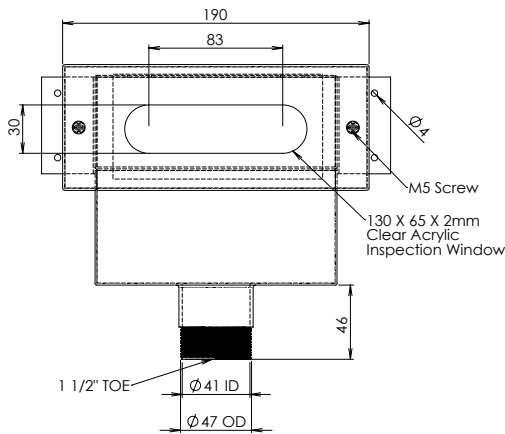
MODEL D-TDW-B Side Elevation and Isometric View



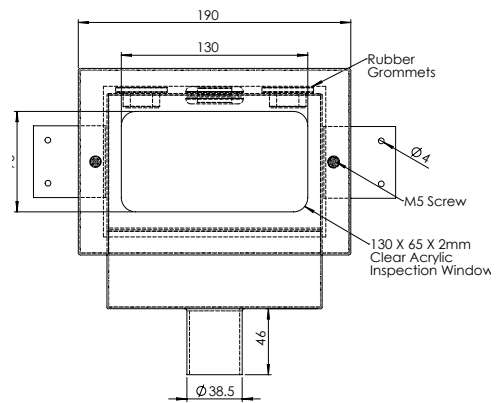
MODEL D-TDW-A Plan



MODEL D-TDW-B Plan



MODEL D-TDW-A Front Elevation



MODEL D-TDW-B Front Elevation

When specifying this product please include:

- Product Name and Code
- Product Dimensions
- Product Features
- Grade of Stainless Steel

specifying guide

options

- Custom dimensions
- Custom designs - contact BRITEX

VISIT BRITEX.COM.AU TO DOWNLOAD BIM FILES, CAD DRAWINGS AND THE MOST CURRENT PRODUCT LITERATURE.

Last Revised May 2023 | Revision C

#D-TDW / IN WALL TUNDISH