

Centurion Slophopper



Scan QR code to view our installation notes

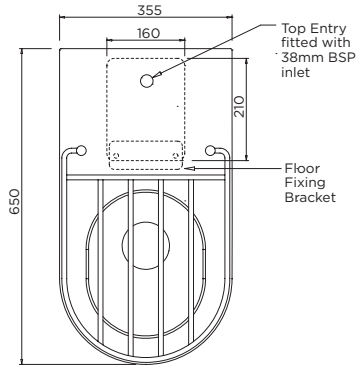


To order this item please advise:

- CSHPR = P Trap, rear water entry
- CSHPT = P Trap, top water entry
- CSHSR = S Trap, rear water entry
- CSHST = S Trap, top water entry

Product Info:

- Easy to install, one piece construction
- Stainless hinged grate
- P or S trap
- Top or rear water entry
- Unique blockage resistant trap
- Left and right hand access panels
- 4.5/3 & 6/3 litre flush compatible



INSTALLATION NOTES

- 1) Pan is anchored to floor with an offset bracket (supplied). 2) Pan is secured to rear wall via 4 fixing holes integral to pan body. 3) Suggested fixings required for fixing to wall are 4pcs of 12mm dia. threaded rods with nuts and washers (not supplied). 4) Concealed fixings and plumbing connection are accessed by removing panels on sides of toilet pan. 5) Pan should be sealed around perimeter after installation completed.

CSH

