

BRITEX AIR JET AUTOMATIC HAND DRYER STAINLESS STEEL FINISH

WASHROOM ACCESSORIES

#BTX-01-030 / BRITEX AIR JET AUTOMATIC HAND DRYER



features and benefits

- Grade 304 satin finish stainless steel
- Contemporary, hygienic design
- Faster drying time than normal hand dryers - 15 seconds
- Automatic, no contact activation
- Long life, brushless motor for application in high volume use areas

about

The *BRITEX Air Jet Automatic Hand Dryer Stainless Steel Finish* is manufactured from grade 304 satin finish stainless steel. The unit utilises an entirely touch free activation and dries hands in just 15 seconds, making the design significantly more environmentally friendly and hygienic than other hand dryers. The high speed, brushless motor ensures longevity for application in high volume use areas.

sample spec. text

BRITEX S.S. Air Jet Automatic Hand Dryer in Stainless Steel Finish - Product Code BTX-01-030

*RED TEXT may denote a **variable** where one option only is to be selected, a **nominal dimension** that needs to be specified, or an **optional feature** that can be removed if not required. Please refer to the back of this page for additional specification details and options.

VISIT BRITEX.COM.AU TO DOWNLOAD BIM FILES, CAD DRAWINGS AND THE MOST CURRENT PRODUCT LITERATURE.



MELBOURNE
Britex Place, Mirra Crt
Bundoora VIC 3083
t (03) 9466 9000
f (03) 9466 9044

SYDNEY
16 Northumberland Drv
Taren Point NSW 2229
t (02) 9531 2100
f (02) 9531 2800

PERTH
Unit 1/8 Principal Link
Malaga WA 6090
t (08) 9249 5464
f (08) 9248 6893

BRISBANE
19 Manilla St
East Brisbane QLD 4169
t (07) 3363 2400
f (07) 3363 2444

ADELAIDE
The Britex Group
SA State Office
t 1300 764 744
f 1300 784 306

britex.com.au | info@britex.com.au | A.B.N 83 004 309 737

BRITEX AIR JET AUTOMATIC HAND DRYER

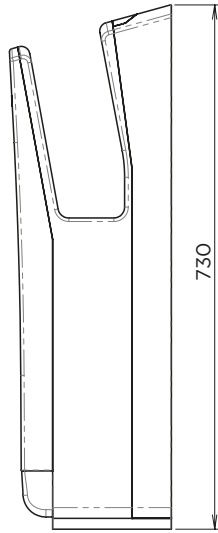
DRYER STAINLESS STEEL FINISH

PRODUCT CODE

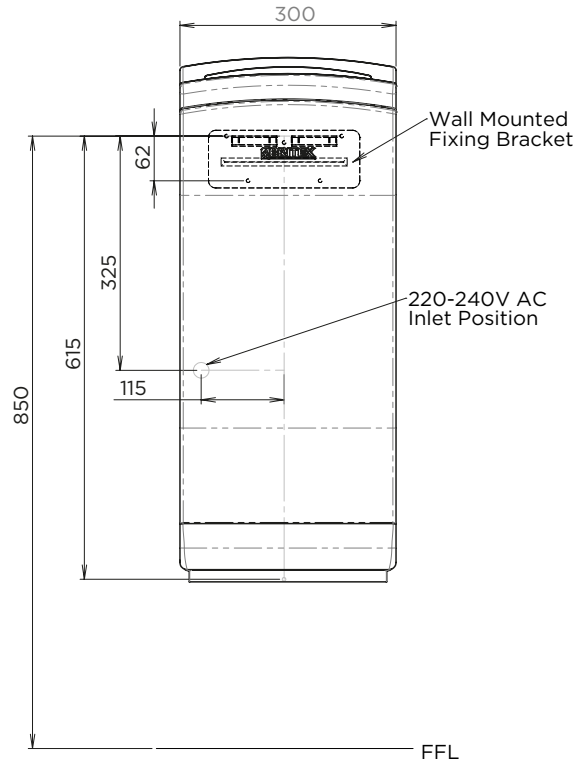
BTX-01-030

Suggested Mounting Heights (mm)

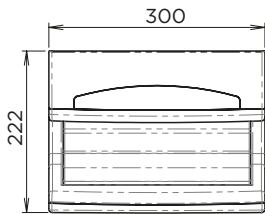
men's washroom	1200
women's washroom	1150
children's washroom	850-1110
accessible washroom	1000



MODEL BTX-01-030 Side Elevation



MODEL BTX-01-030 Front Elevation



MODEL BTX-01-030 Plan

When specifying this product please include:

- Product Name and Code

specifying guide

VISIT BRITEX.COM.AU TO DOWNLOAD BIM FILES, CAD DRAWINGS AND THE MOST CURRENT PRODUCT LITERATURE.



Due to ongoing research and our commitment to product development, details are subject to change without notice. Details accurate at time of print. Please refer to britex.com.au for the most current product information. Allow +/- 5mm tolerance for dimensions and setouts shown in product literature.

britex.com.au | info@britex.com.au | A.B.N 83 004 309 737

