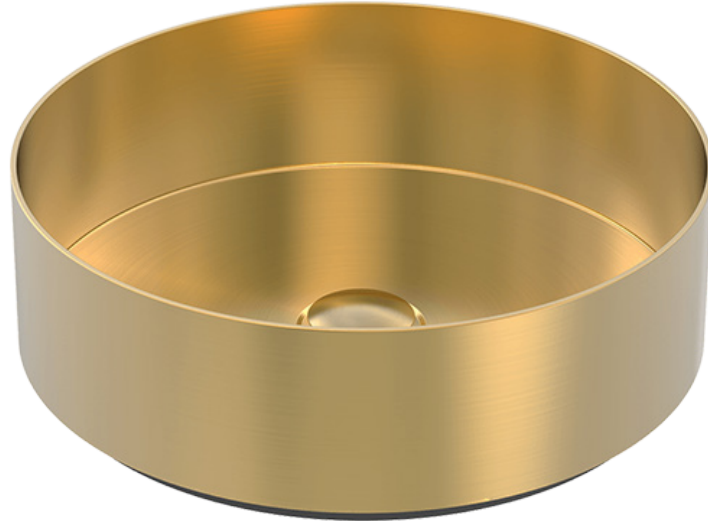


# GOLD DESIGNER BASIN - ROUND



## features and benefits

- Top mount modern design
- 1.2mm Grade 304 Stainless Steel
- PVD (Physical Vapour Deposition)
- 40mm waste included
- WaterMark certified waste
- Highly durable (abrasion, scratch and corrosion resistant)
- Suits hotels, apartments and office spaces

## about

The *BRITEX Stainless Steel Gold Designer Basin - Round* is a stylish and modern fixture that can elevate the look of any bathroom. Aesthetics are not compromised with the durable and hygienic elements of the fully welded commercial grade 304 stainless steel hand basin. Rounded corners internally and externally ensure easy cleaning and provide added safety. Supplied complete with 40mm pop up waste outlet. The Britex Designer Range is ideal for hotels, apartments and office space applications.

## sample spec. text

*BRITEX Stainless Steel Designer Range Round Basin - Gold.* Gold 304 grade stainless steel, pvd brushed finish complete with matching waste. Product Code - BDR-01-001

VISIT [BRITEX.COM.AU](http://BRITEX.COM.AU) TO DOWNLOAD BIM FILES, CAD DRAWINGS AND THE MOST CURRENT PRODUCT LITERATURE.



**MELBOURNE**  
Britex Place, Mirra Crt  
Bundoora VIC 3083  
t (03) 9466 9000  
f (03) 9466 9044

**SYDNEY**  
16 Northumberland Drv  
Taren Point NSW 2229  
t (02) 9531 2100  
f (02) 9531 2800

**PERTH**  
Unit 1/8 Principal Link  
Malaga WA 6090  
t (08) 9249 5464  
f (08) 9248 6893

**BRISBANE**  
19 Manilla St  
East Brisbane QLD 4169  
t (07) 3363 2400  
f (07) 3363 2444

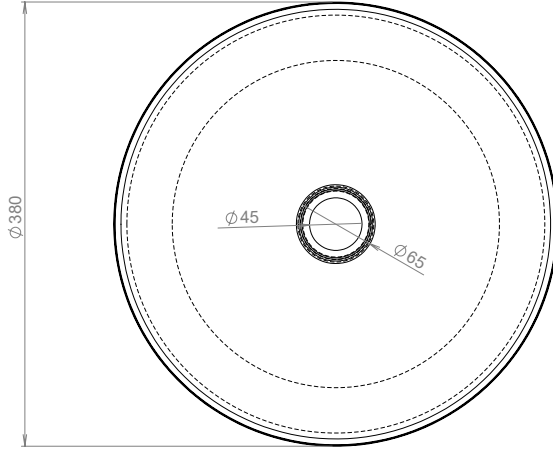
**ADELAIDE**  
The Britex Group  
SA State Office  
t 1300 764 744  
f 1300 784 306

[britex.com.au](http://britex.com.au) | [sales@britex.com.au](mailto:sales@britex.com.au) | A.B.N 83 004 309 737

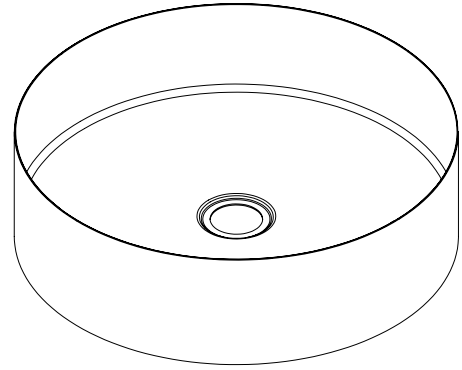
# GOLD DESIGNER BASIN - ROUND

PRODUCT CODE

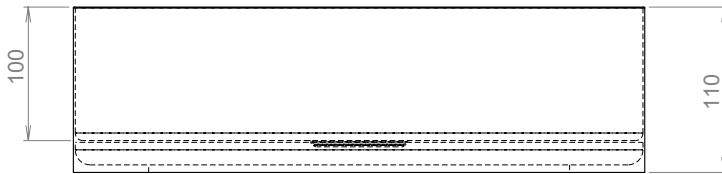
## ***BDR-01-001***



MODEL BDR-01-001 Plan



MODEL BDR-01-001 Iso View



MODEL BDR-01-001 Front Elevation



*When specifying this product please include:*

- Product Name and Code
- Product Dimensions
- Tap Code

VISIT [BRITEX.COM.AU](http://BRITEX.COM.AU) TO DOWNLOAD BIM FILES, CAD DRAWINGS AND THE MOST CURRENT PRODUCT LITERATURE.

*Last Revised Mar 2024 | Rev B*



**MELBOURNE**  
Britex Place, Mirra Crt  
Bundoora VIC 3083  
t (03) 9466 9000  
f (03) 9466 9044

**SYDNEY**  
16 Northumberland Drv  
Taren Point NSW 2229  
t (02) 9531 2100  
f (02) 9531 2800

**PERTH**  
Unit 1/8 Principal Link  
Malaga WA 6090  
t (08) 9249 5464  
f (08) 9248 6893

**BRISBANE**  
19 Manilla St  
East Brisbane QLD 4169  
t (07) 3363 2400  
f (07) 3363 2444

**ADELAIDE**  
The Britex Group  
SA State Office  
t 1300 764 744  
f 1300 784 306

[britex.com.au](http://britex.com.au) | [sales@britex.com.au](mailto:sales@britex.com.au) | A.B.N 83 004 309 737