

OUTDOOR LEARNING TROUGH

4.19

TROUGHES

#TP9 / OUTDOOR LEARNING TROUGH



Scan QR code
to view online



Image shows Model TP9-2-TW-9101-1100
Outdoor Learning Trough with 2 Eco Timed Flow Pillar Taps

features and benefits

- Suits Covered Outdoor Learning Areas (COLA) and ideal for education projects
- Conforms to NSW DOC education standards and available pre-plumbed with NSW DOC approved tapware
- Concealed tapware connections
- Radius external corners - added safety
- Lockable lid to protect fixture when not in use
- Commercial grade 304 S.S.
- 50mm waste supplied
- Standard and custom lengths
- Optional Plaster & Clay Arrestor : p 5.02
- Strong, integral SHS S.S. support frame

about

The **BRITEX Stainless Steel Outdoor Learning Trough** is designed specifically to conform to education department standards for Covered Outdoor Learning Areas (COLA) and incorporates rear hob for mounting hand wash taps, bench space, extended rear splashback and radius front and rear corners for added safety - as well as a lockable lid that protects tapware outside of school hours. A support frame underneath with adjustable feet provides a strong, free standing base. Available in standard (1100mm) and custom lengths where required, it can be supplied pre-plumbed with WaterMark and WELS certified hand wash taps conforming to NSW education standards. Optional BRITEX Plaster and Clay Arrestor - OSPC: p 5.02

sample spec. text

BRITEX 1.2mm grade 304 S.S. Outdoor Learning Trough - 1100L x 500W x 950H. Complete with lockable lid, radius external corners, right hand bowl to be 600 x 335 x 150 O/A with 50mm waste, 300mm upstand to rear, and 32mm SHS stainless steel frame under - Product Code TP9

*RED TEXT may denote a **variable** where one option only is to be selected, a **nominal dimension** that needs to be specified, or an **optional feature** that can be removed if not required. Please refer to the back of this page for additional specification details and options.

VISIT BRITEX.COM.AU TO DOWNLOAD BIM FILES, CAD DRAWINGS AND THE MOST CURRENT PRODUCT LITERATURE.



MELBOURNE
Britex Place, Mirra Crt
Bundoora VIC 3083
t (03) 9466 9000
f (03) 9466 9044

SYDNEY
16 Northumberland Drv
Taren Point NSW 2229
t (02) 9531 2100
f (02) 9531 2800

PERTH
Unit 1/8 Principal Link
Malaga WA 6090
t (08) 9249 5464
f (08) 9248 6893

BRISBANE
19 Manila St
East Brisbane QLD 4169
t (07) 3363 2400
f (07) 3363 2444

ADELAIDE
The Britex Group
SA State Office
t 1300 764 744
f 1300 784 306

britex.com.au | info@britex.com.au | A.B.N 83 004 309 737

OUTDOOR LEARNING TROUGH

PRODUCT CODE

TP9 Trough only - no tapware

TP9P Pre-Plumbed Outdoor Learning Trough

HOW TO SPECIFY: Outdoor Learning Trough
(PRE-PLUMBED optional)

Sample Specification Code

A **B** **C** **D**
TP9P - 2 - TW-9101 - 1100

= Outdoor Learning Trough Pre-Plumbed with 2 Eco Timed Flow Pillar Taps, 1100mm long

Specification Key

A = Product Code
 TP9 : Trough only
 TP9P : Pre-Plumbed

B = Tap Quantity

C = Tap Code
 (see below for suggested tapware options)

D = Trough Length (mm)

Suggested Tapware:

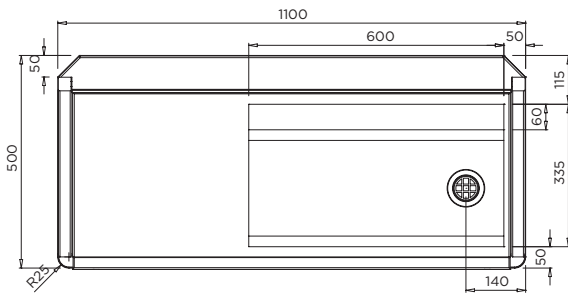
(see Tapware Section: 11 for complete range of options)



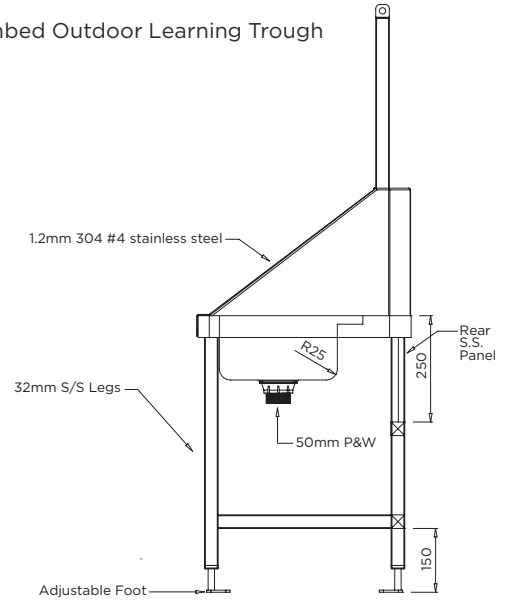
TW-9101
Eco Timed Flow Pillar Tap



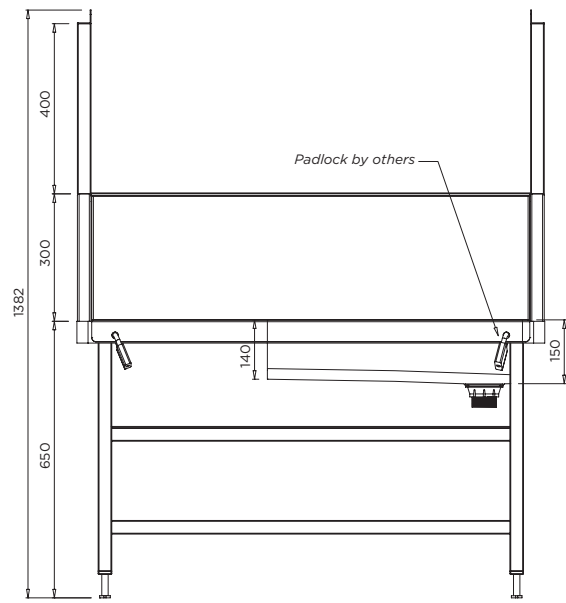
TW-0020
Vandal Resistant DPW (NSW) Deluxe Pillar Tap



MODEL TP9 Plan



MODEL TP9 Side Elevation



MODEL TP9 Front Elevation

When specifying this product please include:

- Product **Name** and **Code**
- Product **Dimensions**
- **Tapware** details (if required)
- **Tap Hole** details

specifying guide

options

- Plaster & Clay Arrestor (OSPC): p 5.02
- Tap holes
- Pre-plumbed tapware
- Custom trough dimensions

VISIT BRITEX.COM.AU TO DOWNLOAD BIM FILES, CAD DRAWINGS AND THE MOST CURRENT PRODUCT LITERATURE.



Due to ongoing research and our commitment to product development, details are subject to change without notice. Details accurate at time of print. Please refer to britex.com.au for the most current product information. Allow +/- 5mm tolerance for dimensions and setouts shown in product literature.



britex.com.au | info@britex.com.au | A.B.N 83 004 309 737