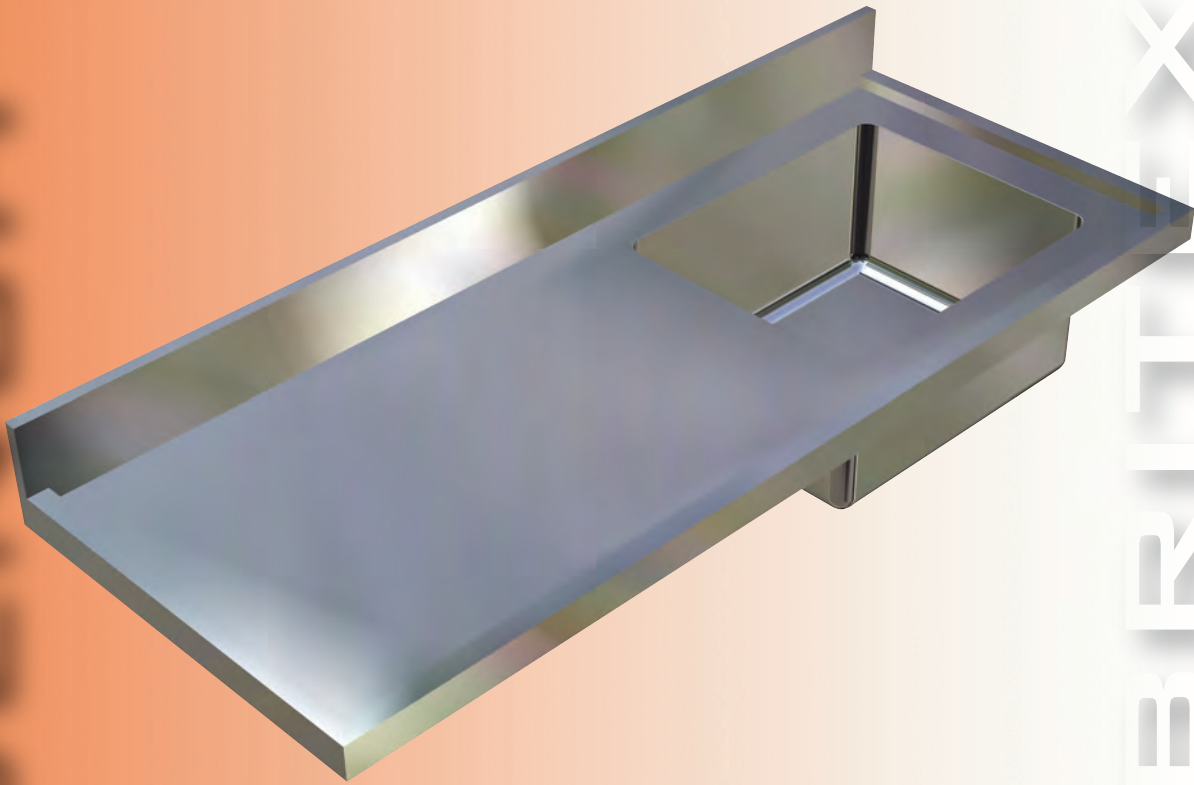


# WET BENCH TOPS

## FEATURES;

- 1.2mm, 1.6mm or 2.0mm thickness.
- Grade 304 or 316 stainless.
- No. 4 Satin Finish
- Choice of substrate to suit application.
- Mountable on legs, cupboards or wall brackets.
- Choice of Upstand and Fascia type and height.



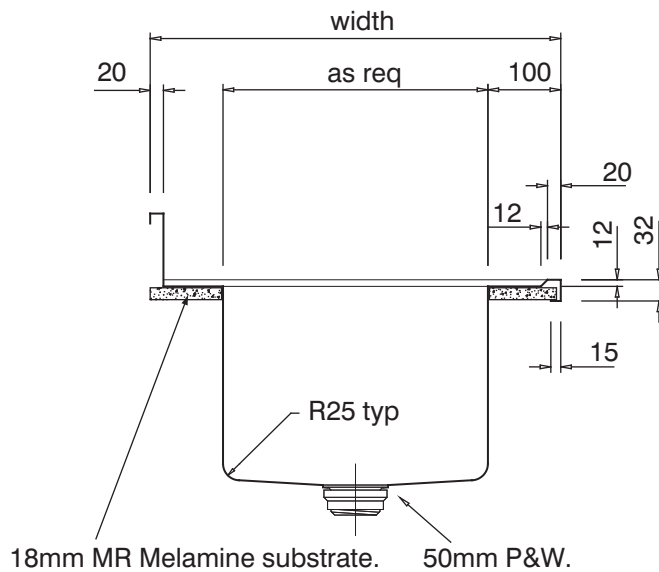
BRITEX

WET BENCH TOP

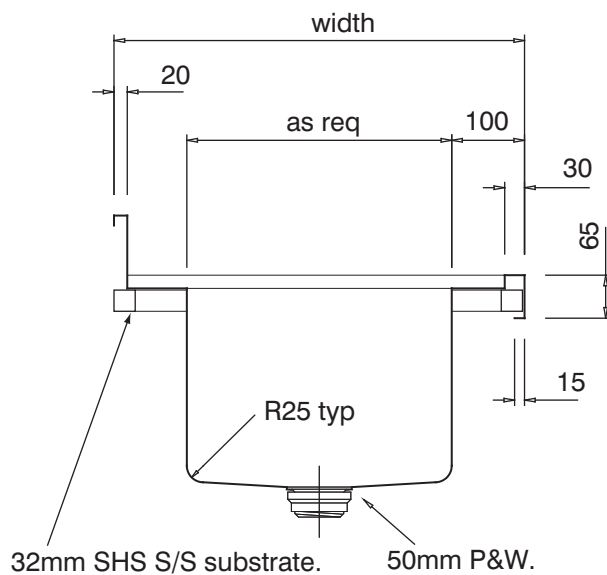
**BRITEX Wet Bench Tops** are generally fabricated from 1.2mm or 1.6mm type 304 or type 316 acid resisting stainless steel and comes in a satin finish. Benching can be fabricated to any width and length, with a variety of standard Fascia type and thickness, and Upstand type and thickness available. Benching can be bonded with HMR, Melamine, Galvanised Angle or Stainless Tube frame substrate, depending on application requirements.

PRODUCT CODE:

## WET BENCH TOP



STANDARD WET BEAD



STANDARD BOX BEAD

## WET AREA BENCHING.....

**Britex standard construction;**  
1.2mm or 1.6mm type 304 or  
316 acid resisting Stainless  
Steel bench top.

Backed with either 18mm joinery  
substrate or chemically bonded  
32mm SHS S/S tube framework for  
wet areas. Backing to include  
Sound Deadener.

Two of the most common Wet  
Bench top styles are shown  
adjacent.

## SPECIFICATIONS.

When specifying this product,  
Refer to: "How to Specify" Page 76.

## OPTIONS.

- Available in custom sizes.
- Radius corners.

**Melbourne**

Britex Place, Mirra Court  
Bundoora  
Victoria 3083  
Telephone 1300 764 744  
Fax (03) 9466 9044

**Sydney**

Unit 11, 16-18 Northumberland Rd  
Taren Point  
New South Wales 2229  
Telephone 1300 764 744  
Fax (02) 9531 2800



**BRITEX** SINCE 1938  
STAINLESS STEEL FABRICATED PRODUCTS

[www.britex.com.au](http://www.britex.com.au)

e-mail [info@britex.com.au](mailto:info@britex.com.au)  
A.B.N. 83 004 309 737

Represented in all states of Australia, throughout Asia and the Pacific Regions.

All product manufacturing by **BRITEX** can be adapted to suit your special application.

Allow 5mm tolerance for setout dimensions given in these drawings. Details accurate at time of print.

As **BRITEX** is always committed to improving on design and quality, it is possible that some details may alter without notice.