

WALL HUNG URINAL STALL

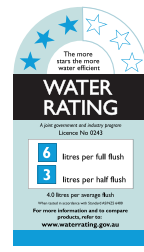
FEATURES;

- Radiused design.
- One piece stainless steel construction.
- Vandal proof fixings.
- Easy to install.
- WELS approved.

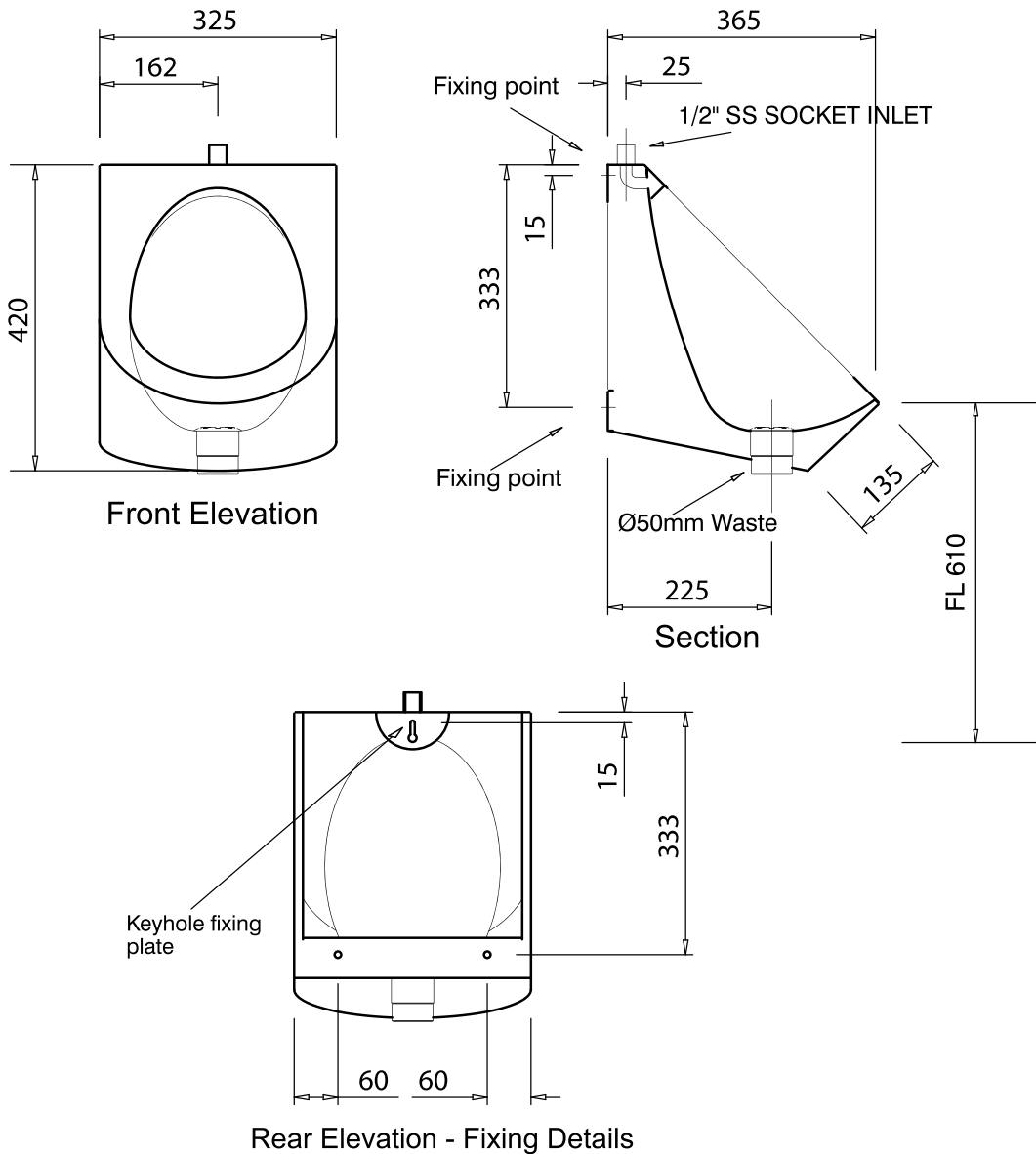


BRITEX

The **BRITEX Wall Hung Urinal Stall** is designed for commercial or industrial applications that may be prone to vandalism. The one piece design makes this urinal suitable for areas where minimal maintenance is required.



PRODUCT CODE:

UWHU**SPECIFICATIONS**

When specifying this product, please include the following details;

- Product **Name** and **Model No.**
- Product **Features.**

OPTIONS

- Flushing system.

Melbourne

Britex Place, Mirra Court
Bundoora
Victoria 3083
Telephone 1300 764 744
Fax (03) 9466 9044

Sydney

Unit 11, 16-18 Northumberland Rd
Taren Point
New South Wales 2229
Telephone 1300 764 744
Fax (02) 9531 2800



BRITEX
STAINLESS STEEL FABRICATED PRODUCTS



www.britex.com.au

e-mail info@britex.com.au

A.B.N. 83 004 309 737

Represented in all states of Australia, throughout Asia and the Pacific Regions.

All product manufacturing by **BRITEX** can be adapted to suit your special application.

Allow 5mm tolerance for setout dimensions given in these drawings. Details accurate at time of print.

As **BRITEX** is always committed to improving on design and quality, it is possible that some details may alter without notice.

WALL HUNG URINAL STALL