

PATTERN TROUGH NO.6

FEATURES;

- Radiused Internal & External Corners.
- Available with brackets.
- Optional left or right hand waste.
- Ideal for schools, amenities areas, sports pavilions.



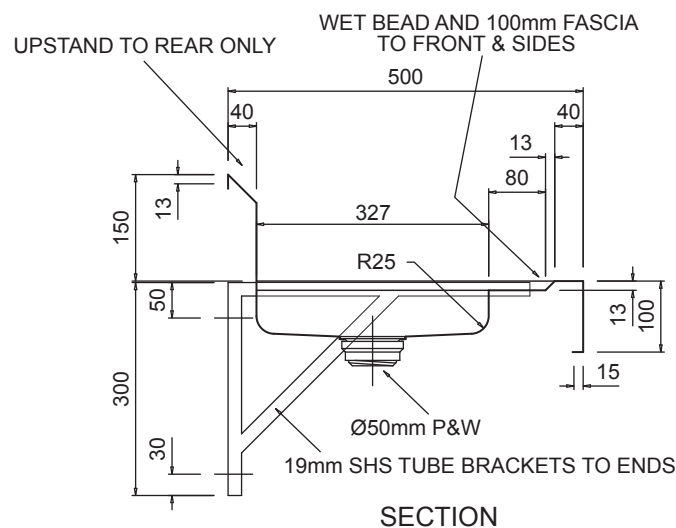
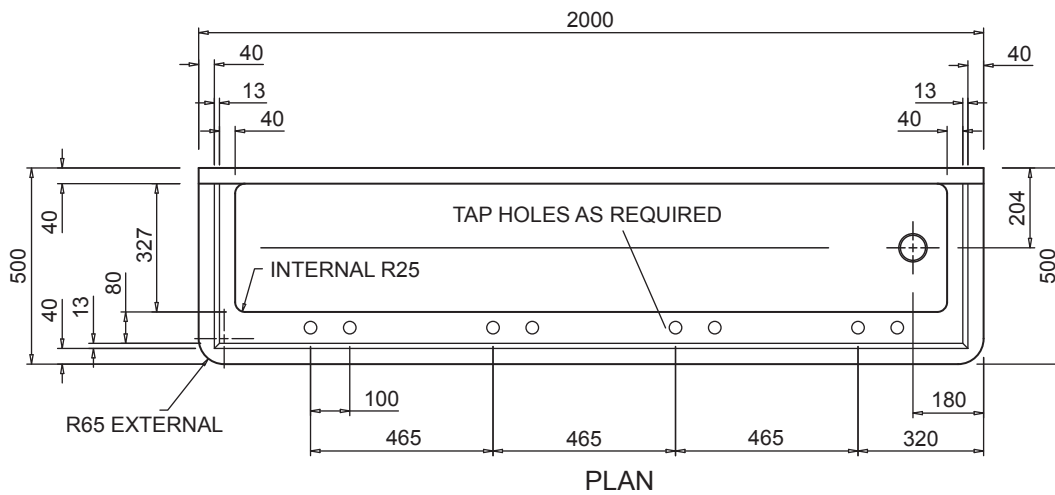
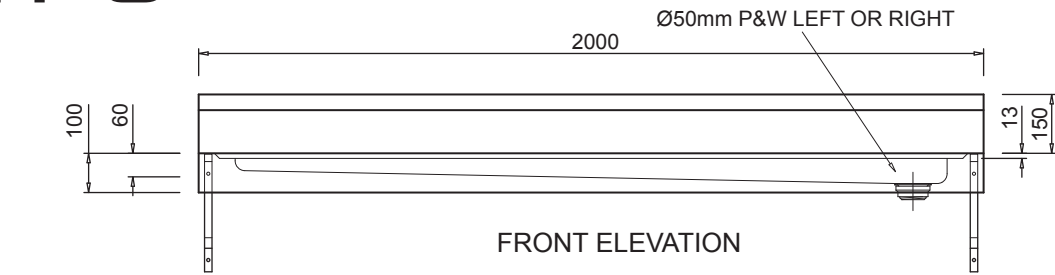
BRITEX

TP6

The **BRITEX Pattern Trough No.6**, (also known as W.A. Drinking Trough), is manufactured from 1.2mm type 304 stainless steel. This unit is fully welded with radiused corners both internally and externally to prevent injuries. Wide front & side fascias allow for plumbing to be concealed behind the trough. Disabled compliant models are available upon request. The **PTN6** is available with heavy duty wall brackets.

PRODUCT CODE:

TP6



SPECIFICATIONS.

When specifying this product,
please include the following details;

- Product **Name** and **Model No.**
- Waste Position - Left or Right.

OPTIONS.

- Length.
- Waste Position.
- Refrigerated model available.
- Disabled model available.

Melbourne

Britex Place, Mirra Court
Bundoora
Victoria 3083
Telephone 1300 764 744
Fax (03) 9466 9044

Sydney

Unit 11, 16-18 Northumberland Rd
Taren Point
New South Wales 2229
Telephone 1300 764 744
Fax (02) 9531 2800



Quality
Endorsed
Company
ISO 9001 Lic4509
SAI Global

BRITEX
STAINLESS STEEL FABRICATED PRODUCTS

SINCE
1938

www.britex.com.au

e-mail info@britex.com.au

A.B.N. 83 004 309 737

Represented in all states of Australia, throughout Asia and the Pacific Regions.

All product manufacturing by **BRITEX** can be adapted to suit your special application.

All work 5mm tolerance for setout dimensions given in these drawings. Details accurate at time of print.

As **BRITEX** is always committed to improving on design and quality, it is possible that some details may alter without notice.