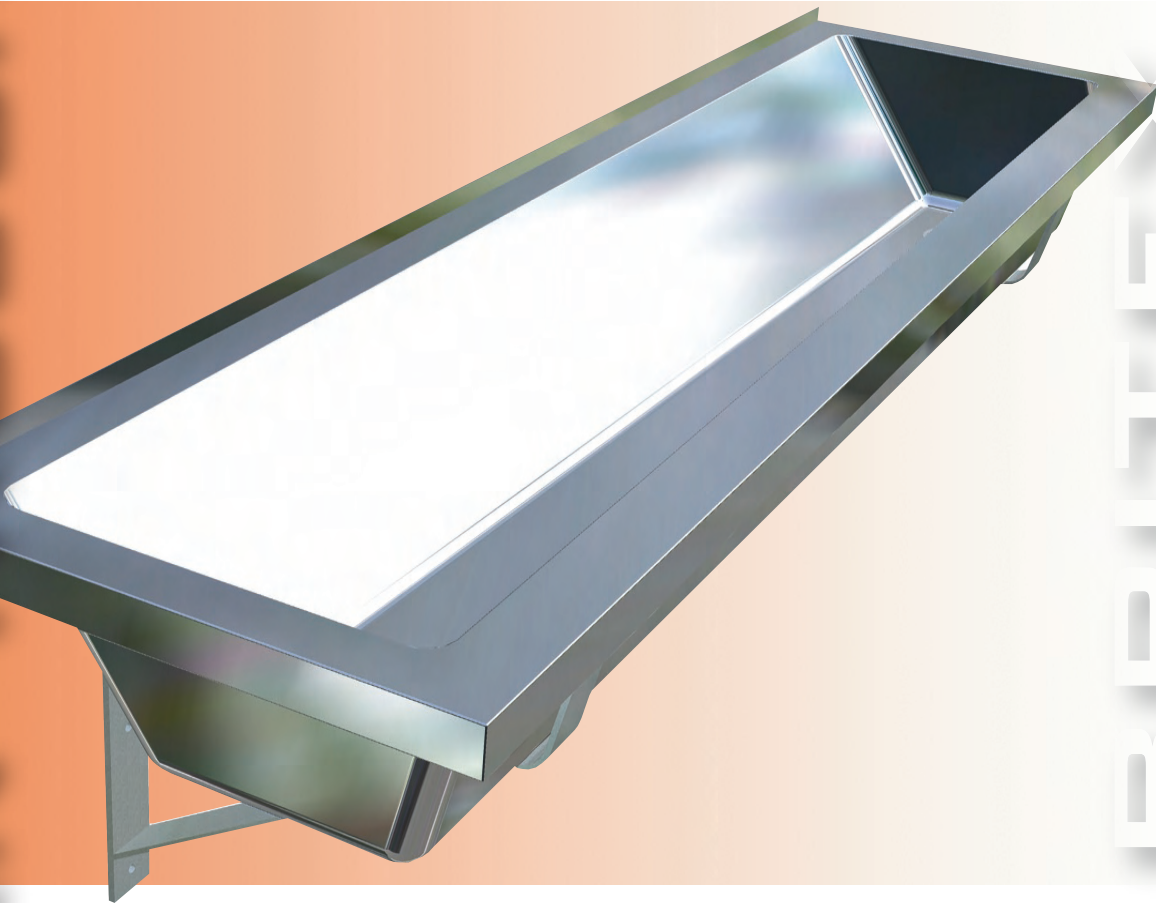


# PATTERN TROUGH NO.5

## FEATURES;

- Radiused Internal Corners.
- Concealed plumbing hob at rear.
- Available with brackets / legs.
- Optional left or right hand waste.
- Ideal for schools, amenities areas, sports pavilions.



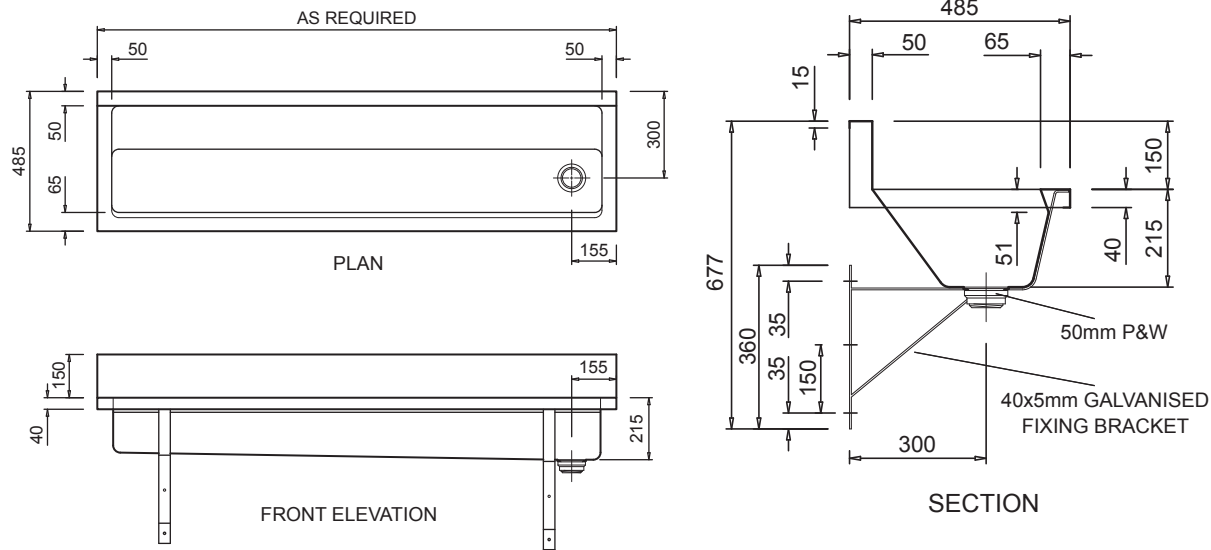
BRITEX

TP5

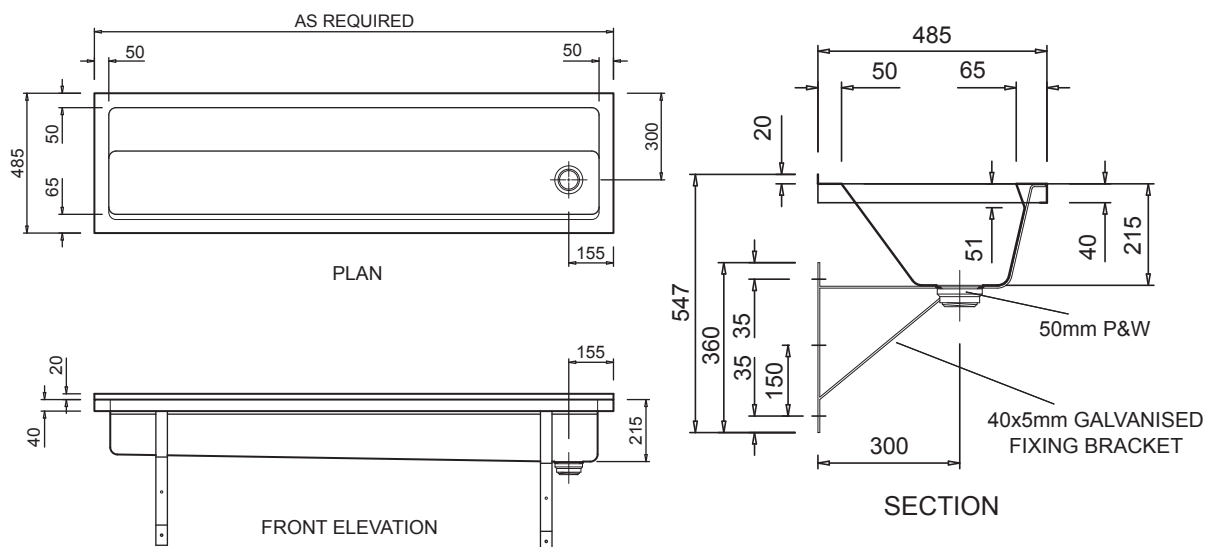
The **BRITEX Pattern Trough No.5**, (also known as W.A. Ablution Trough), is manufactured from 1.2mm type 304 stainless steel and fully welded with radiused internal corners. A 50mm hob at the rear allows for plumbing to be concealed behind the trough. The **TP5** comes complete with heavy duty wall brackets.

PRODUCT CODE:

## TP5



MODEL CODE: TP5U



MODEL CODE: TP5

## SPECIFICATIONS.

When specifying this product, please include the following details;

- Product **Name** and **Model No.**
- Product **Dimensions.**
- Product **Waste** Position - (Left or Right).

## OPTIONS.

- Tapholes in Model TP5U.
- Legs.

**Melbourne**

Britex Place, Mirra Court  
Bundoora  
Victoria 3083  
Telephone 1300 764 744  
Fax (03) 9466 9044

**Sydney**

Unit 11, 16-18 Northumberland Rd  
Taren Point  
New South Wales 2229  
Telephone 1300 764 744  
Fax (02) 9531 2800



**BRITEX**  
STAINLESS STEEL FABRICATED PRODUCTS

SINCE 1938

[www.britex.com.au](http://www.britex.com.au)

e-mail [info@britex.com.au](mailto:info@britex.com.au)

A.B.N. 83 004 309 737

Represented in all states of Australia, throughout Asia and the Pacific Regions.

All product manufacturing by **BRITEX** can be adapted to suit your special application.

Allow 5mm tolerance for setout dimensions given in these drawings. Details accurate at time of print.

As **BRITEX** is always committed to improving on design and quality, it is possible that some details may alter without notice.