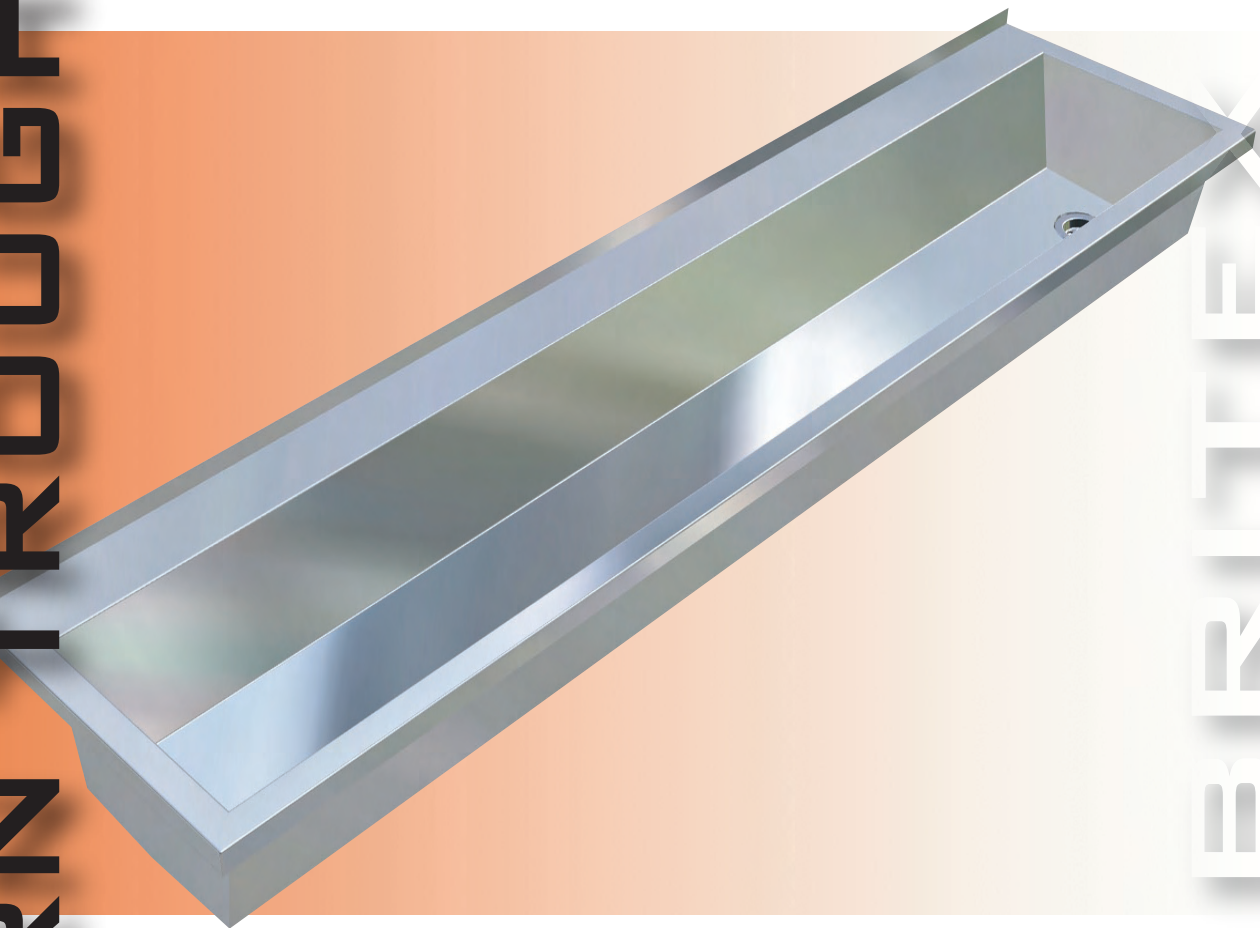


# PATTERN TROUGH NO.4

## FEATURES;

- Concealed plumbing hob.
- Suitable for drinking or ablutions.
- Standard NSW school pattern.
- Heavy duty brackets.

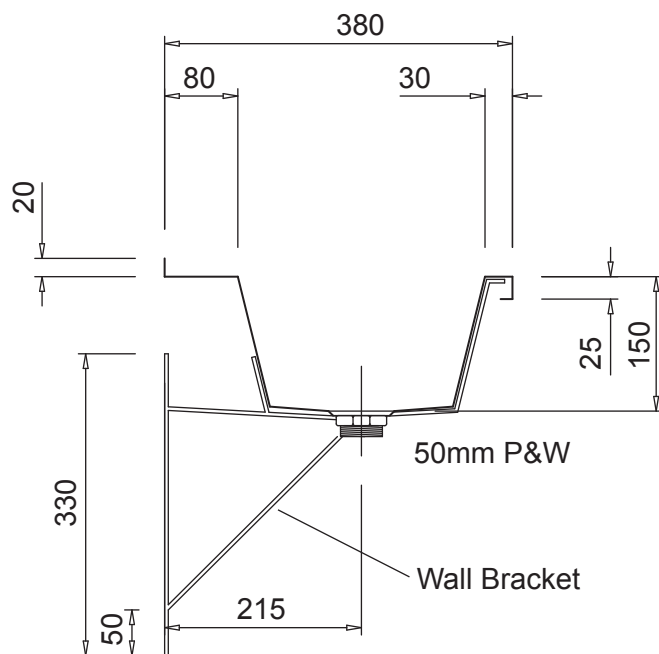
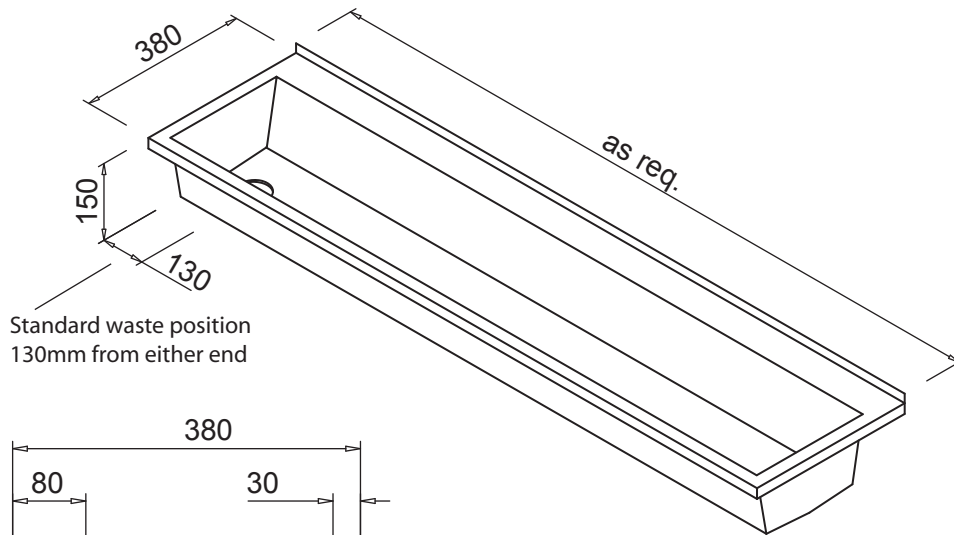


# BRITEX

## TP4

The **BRITEX No.4 pattern troughs** (or NSW walls end pattern trough) is ideal for schools, sporting areas or amenities where plumbing cannot be concealed in the wall. Available as a drinking trough or wash trough. Complete with heavy duty brackets.

PRODUCT CODE:

**TP4 (NSW WALLS END PATTERN)**

SUGGESTED MOUNTING HEIGHTS;		
	WASH TROUGH	DRINKING TROUGH
● INFANT	550	550
● PRIMARY	650	700
● SECONDARY	700	900

**SPECIFICATIONS.**

When specifying this product, please include the following details;

- Product **Name** and **Model No.**
- Product **Dimensions.**
- Product **Waste** position (Left or Right).

**OPTIONS.**

- Drinking bubblers or taps.
- Legs.
- Lid (NSW School Specification).

**Melbourne**

Britex Place, Mirra Court  
Bundoora  
Victoria 3083  
Telephone 1300 764 744  
Fax (03) 9466 9044

**Sydney**

Unit 11, 16-18 Northumberland Rd  
Taren Point  
New South Wales 2229  
Telephone 1300 764 744  
Fax (02) 9531 2800



**BRITEX**  
STAINLESS STEEL FABRICATED PRODUCTS

SINCE 1938

[www.britex.com.au](http://www.britex.com.au)

e-mail [info@britex.com.au](mailto:info@britex.com.au)

A.B.N. 83 004 309 737

Represented in all states of Australia, throughout Asia and the Pacific Regions.

All product manufacturing by **BRITEX** can be adapted to suit your special application.

Allow 5mm tolerance for setout dimensions given in these drawings. Details accurate at time of print.

As **BRITEX** is always committed to improving on design and quality, it is possible that some details may alter without notice.