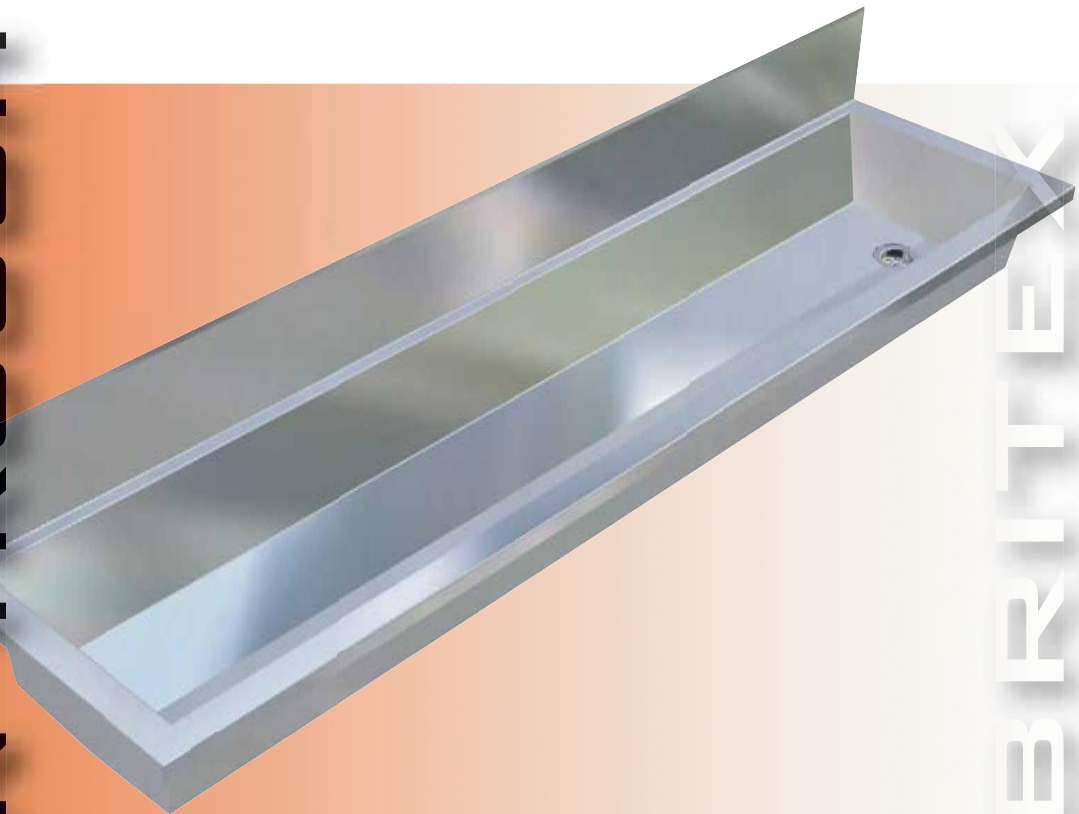


PATTERN TROUGH NO.3

FEATURES;

- Extra wide trough.
- Splashback at rear.
- Standard or custom sizes.

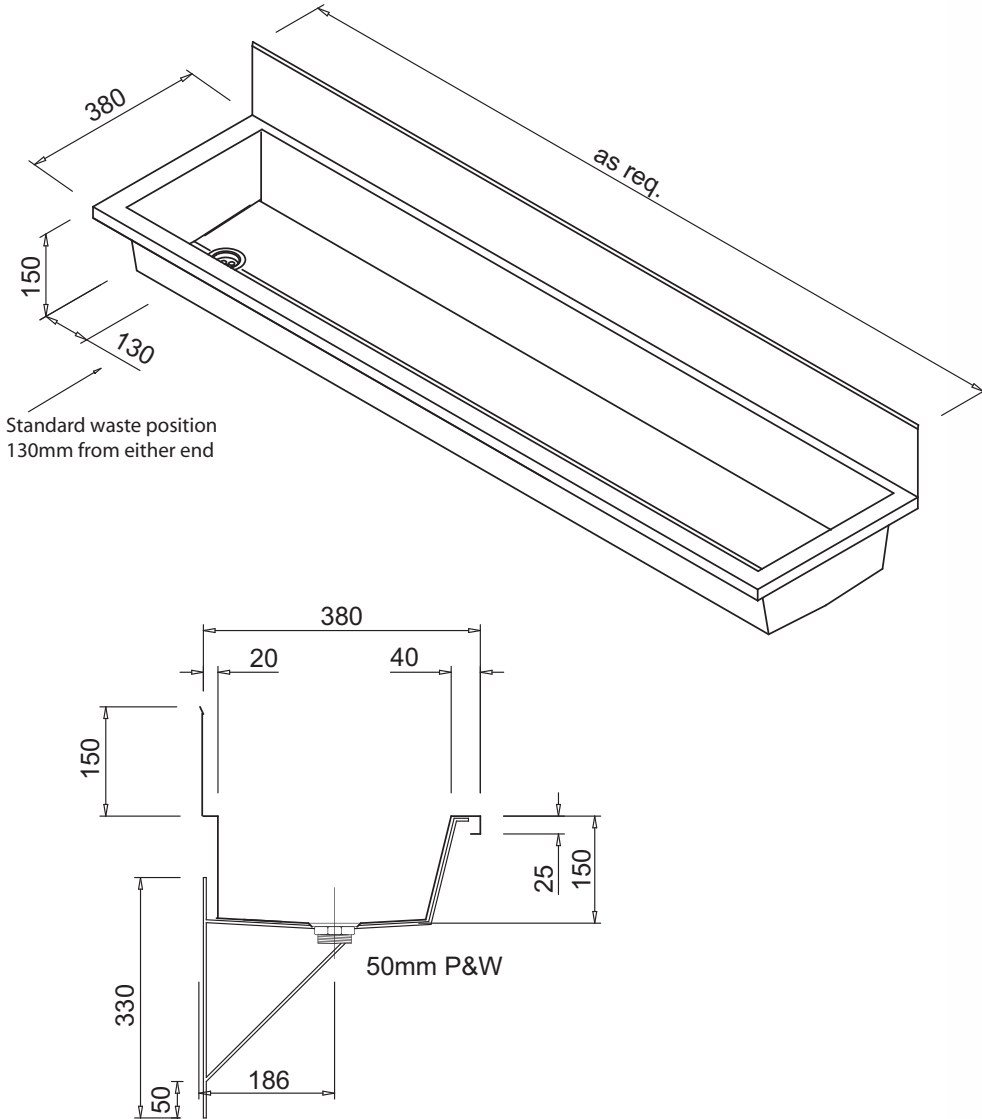


BRITEK

TP3

The **BRITEK No.3 pattern troughs** are an economical trough with the extra width and a splashback to the rear for easy cleaning and mounting of taps. Available in a range of sizes and custom lengths. Supplied complete with brackets.

PRODUCT CODE:

TP3**SPECIFICATIONS.**

When specifying this product, please include the following details;

- Product **Name** and **Model No.**
- Product **Dimensions.**
- Product **Waste** position (Left or Right).

Melbourne

Britex Place, Mirra Court
Bundoora
Victoria 3083
Telephone 1300 764 744
Fax (03) 9466 9044

Sydney

Unit 11, 16-18 Northumberland Rd
Taren Point
New South Wales 2229
Telephone 1300 764 744
Fax (02) 9531 2800



BRITEX SINCE 1938
STAINLESS STEEL FABRICATED PRODUCTS

www.britex.com.au

e-mail info@britex.com.au

A.B.N. 83 004 309 737

Represented in all states of Australia, throughout Asia and the Pacific Regions.

All product manufacturing by **BRITEX** can be adapted to suit your special application.

Allow 5mm tolerance for setout dimensions given in these drawings. Details accurate at time of print.

As **BRITEX** is always committed to improving on design and quality, it is possible that some details may alter without notice.

PATTERN TROUGH NO.3