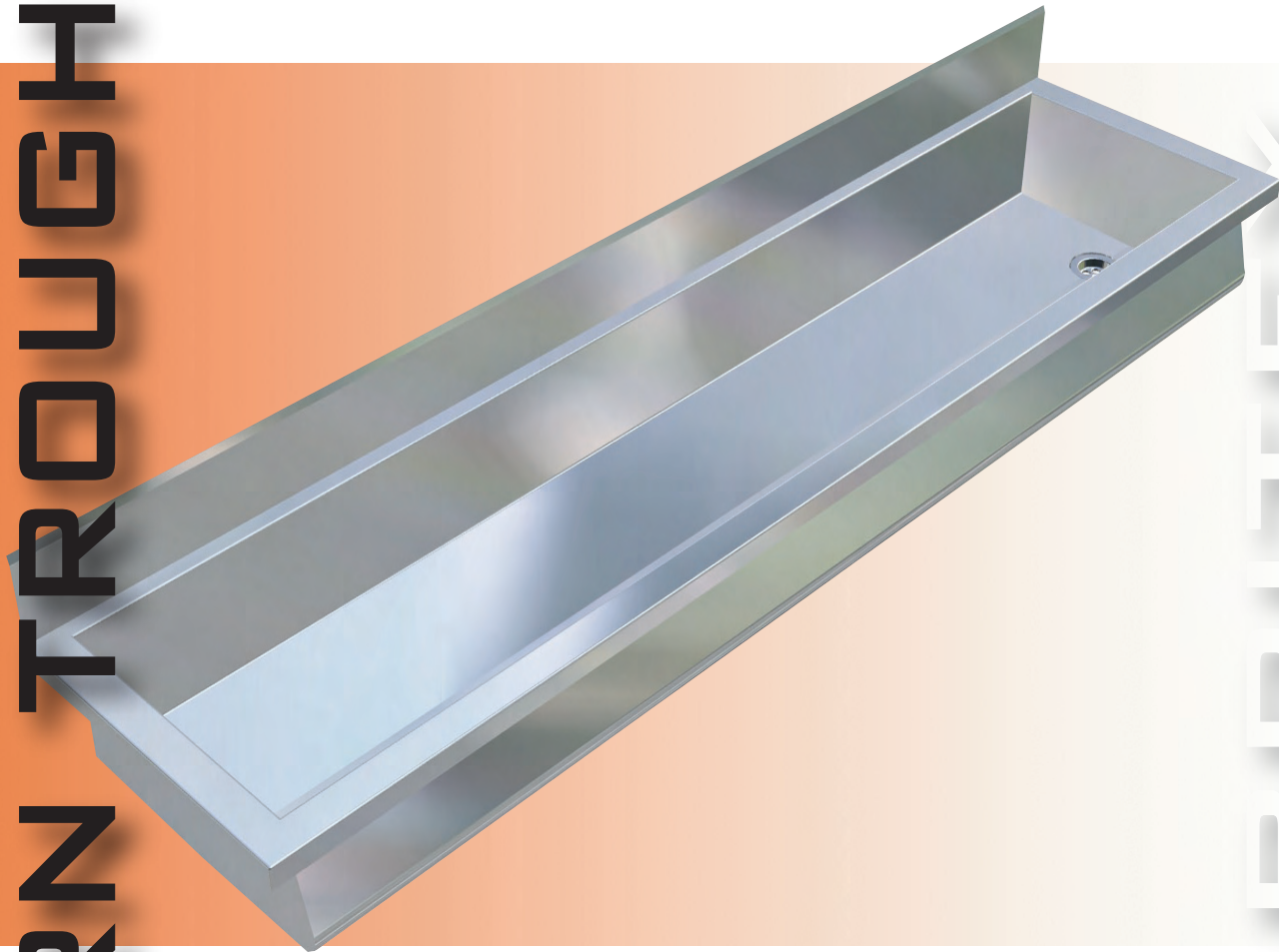


PATTERN TROUGH NO.2

FEATURES;

- Anti splash design.
- Wider than other troughs.
- Splashback at rear.
- Heavy duty brackets.
- Waste position.
- lengths to suit.



BRITEX

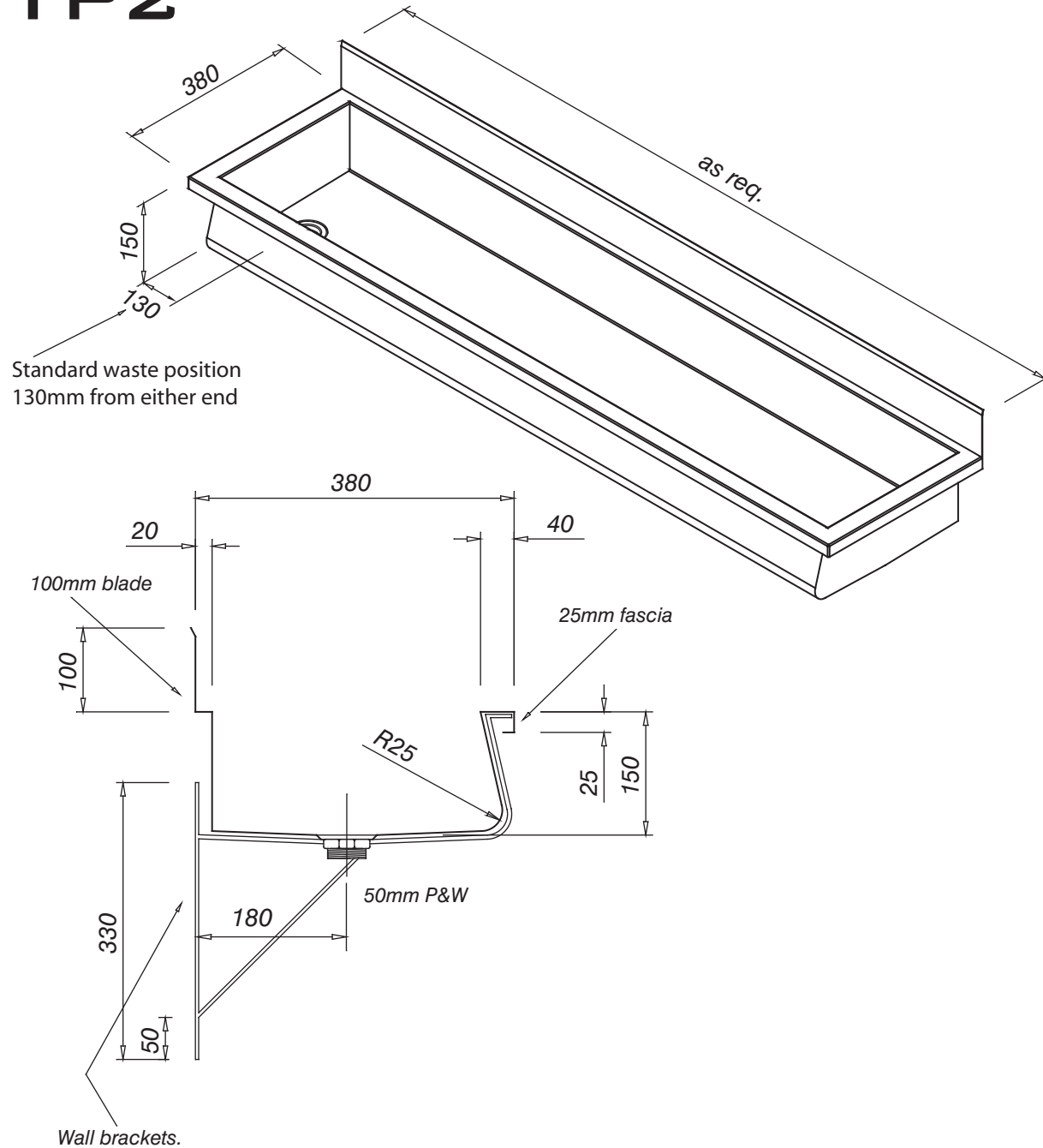
TP2

35

The **BRITEX No.2 pattern troughs** (anti splash) are a deluxe trough for high use areas. Front face angled to reduce splashing when in use. A 100mm upstand to the rear allows taps to be mounted on an easy clean surface. Supplied with heavy duty wall brackets.

PRODUCT CODE:

TP2



Standard waste position
130mm from either end

TP2

SPECIFICATIONS.

When specifying this product,
please include the following details;

- Product **Name** and **Model No.**
- Product **Dimensions.**
- Product **Waste** position (Left or Right).

OPTIONS.

- Custom sizes.
- Upstand to walls.
- Tap holes.
- Legs.

Melbourne

Britex Place, Mirra Court
Bundoora
Victoria 3083
Telephone 1300 764 744
Fax (03) 9466 9044

Sydney

Unit 11, 16-18 Northumberland Rd
Taren Point
New South Wales 2229
Telephone 1300 764 744
Fax (02) 9531 2800



BRITEX
STAINLESS STEEL FABRICATED PRODUCTS

SINCE 1938

www.britex.com.au

e-mail info@britex.com.au

A.B.N. 83 004 309 737

Represented in all states of Australia, throughout Asia and the Pacific Regions.

All product manufacturing by **BRITEX** can be adapted to suit your special application.

Allow 5mm tolerance for setout dimensions given in these drawings. Details accurate at time of print.

As **BRITEX** is always committed to improving on design and quality, it is possible that some details may alter without notice.

PATTERN TROUGH NO.2