

# FLAT RIM CLAY & ABLUTION TROUGH

## FEATURES;

- Multipurpose design.
- Concealed plumbing.
- Heavy duty construction.
- Ideal for art & craft areas and workshops.

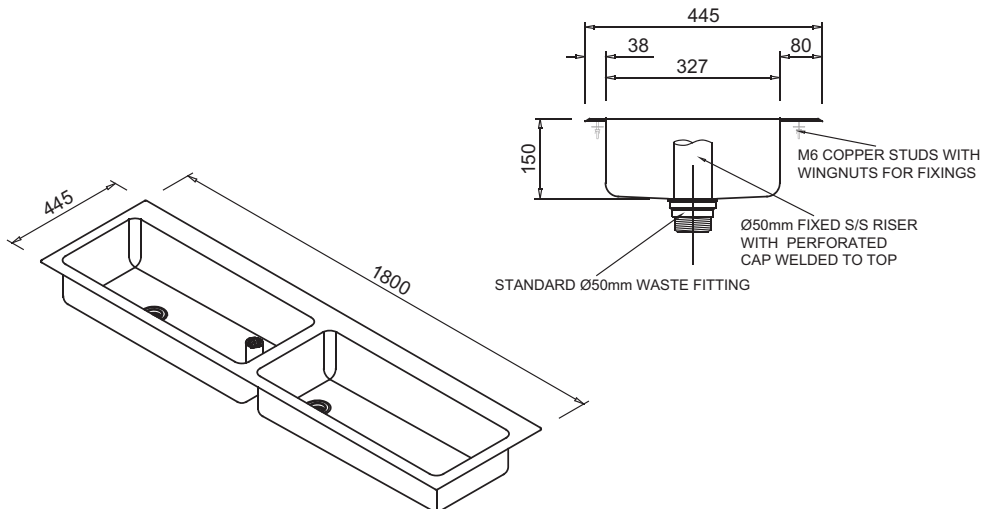
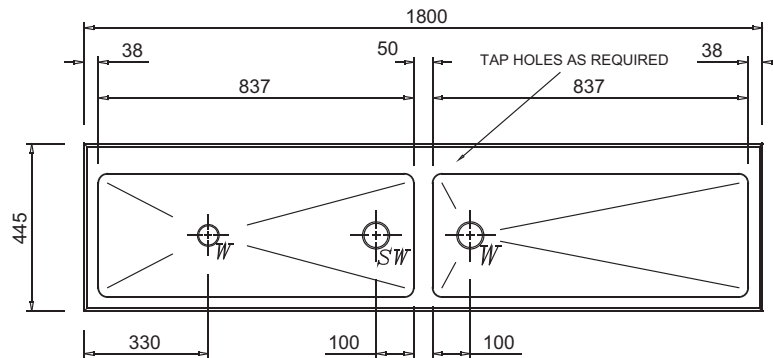
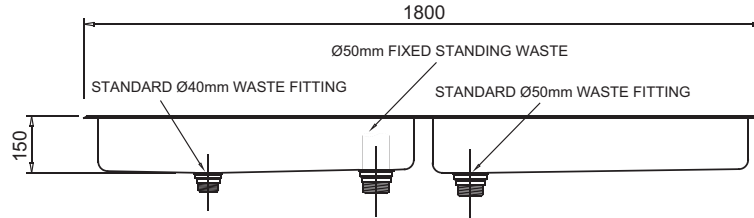


The **BRITEX Flat Rim Clay & Ablution Trough** is multipurpose in design. Half the trough is supplied with a standing waste, ensuring solid matter is trapped in the bottom of the trough, whilst water is removed through another waste, thus preventing blockages. The other side is used for general purpose abluion or drinking.

### Note:

This trough conforms to the former Public Works Department Specification Drawing; **SDC 180A**.

PRODUCT CODE:

**TCAI****SPECIFICATIONS.**

When specifying this product, please include the following details;

- Product **Name** and **Model No.**

**OPTIONS.**

- Tap hole configuration.
- Custom Length.

**Melbourne**

Britex Place, Mirra Court  
Bundoora  
Victoria 3083  
Telephone 1300 764 744  
Fax (03) 9466 9044

**Sydney**

Unit 11, 16-18 Northumberland Rd  
Taren Point  
New South Wales 2229  
Telephone 1300 764 744  
Fax (02) 9531 2800



**BRITEX** SINCE 1938  
STAINLESS STEEL FABRICATED PRODUCTS

[www.britex.com.au](http://www.britex.com.au)

e-mail [info@britex.com.au](mailto:info@britex.com.au)

A.B.N. 83 004 309 737

Represented in all states of Australia, throughout Asia and the Pacific Regions.

All product manufacturing by **BRITEX** can be adapted to suit your special application.

Allow 5mm tolerance for setout dimensions given in these drawings. Details accurate at time of print.

As **BRITEX** is always committed to improving on design and quality, it is possible that some details may alter without notice.