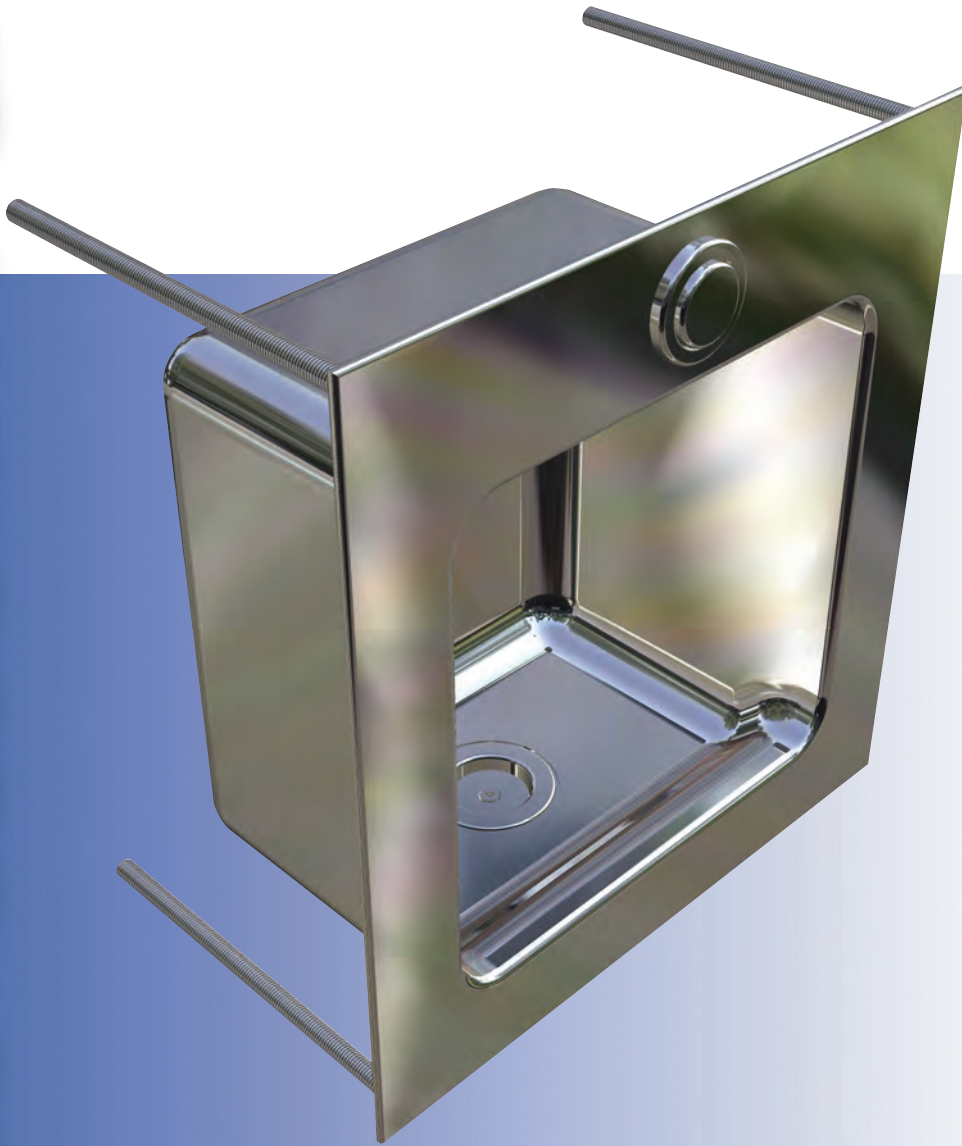


RECESSED SECURITY BASIN

FEATURES;

- Heavy duty stainless steel.
- One piece construction.
- Suits manual or electronic tapware.
- Flush mount fitting.
- Vandal resistant.
- Radius internal corners.

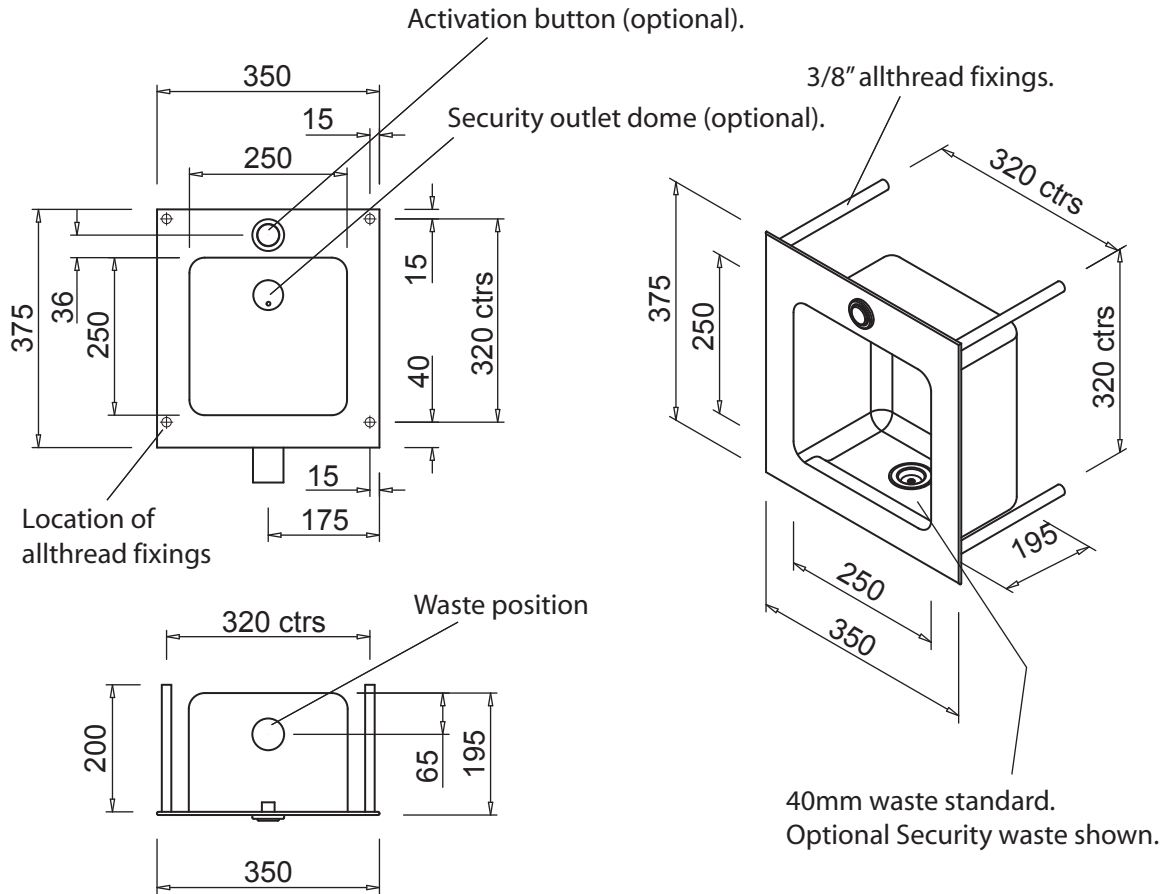


BRITEX

The **BRITEX Recessed Security Basin** offers the convenience of a wash basin recessed into a wall. It is designed primarily, but not exclusively, for areas prone to vandalism or detention facilities. It can be fitted with either manual or 'no touch' electronic tapware. All internal corners are fully radiused for easy cleaning.

SRB

PRODUCT CODE:

SRB**SPECIFICATIONS**

When specifying this product, please include the following details;

- Product **Name** and **Model No.**

Melbourne
 Britex Place, Mirra Court
 Bundoora
 Victoria 3083
 Telephone 1300 764 744
 Fax (03) 9466 9044

Sydney
 Unit 11, 16-18 Northumberland Rd
 Taren Point
 New South Wales 2229
 Telephone 1300 764 744
 Fax (02) 9531 2800

Represented in all states of Australia, throughout Asia and the Pacific Regions.
 All product manufacturing by **BRITEX** can be adapted to suit your special application.
 Allow 5mm tolerance for setout dimensions given in these drawings. Details accurate at time of print.
 As **BRITEX** is always committed to improving on design and quality, it is possible that some details may alter without notice.

OPTIONS

- Tapware - manual or electronic.
- Security waste.

SRB

BRITEX
 STAINLESS STEEL FABRICATED PRODUCTS

www.britex.com.au

e-mail info@britex.com.au
 A.B.N. 83 004 309 737

SINCE
1938

RECESSED SECURITY BASIN