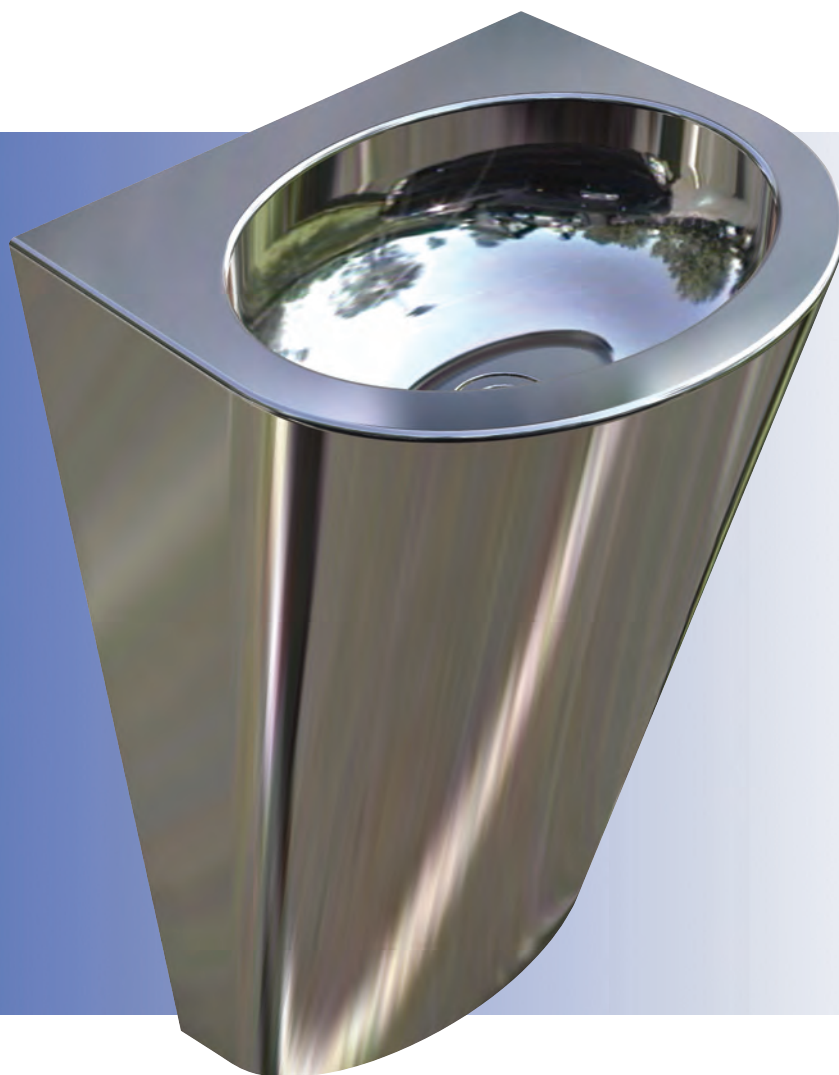


BASIN

FEATURES;

- Compact oval basin.
- Tapered design.
- Concealed wall fixings.
- No ligature points.
- Heavy duty construction.
- Security waste.



OVAL SECURITY

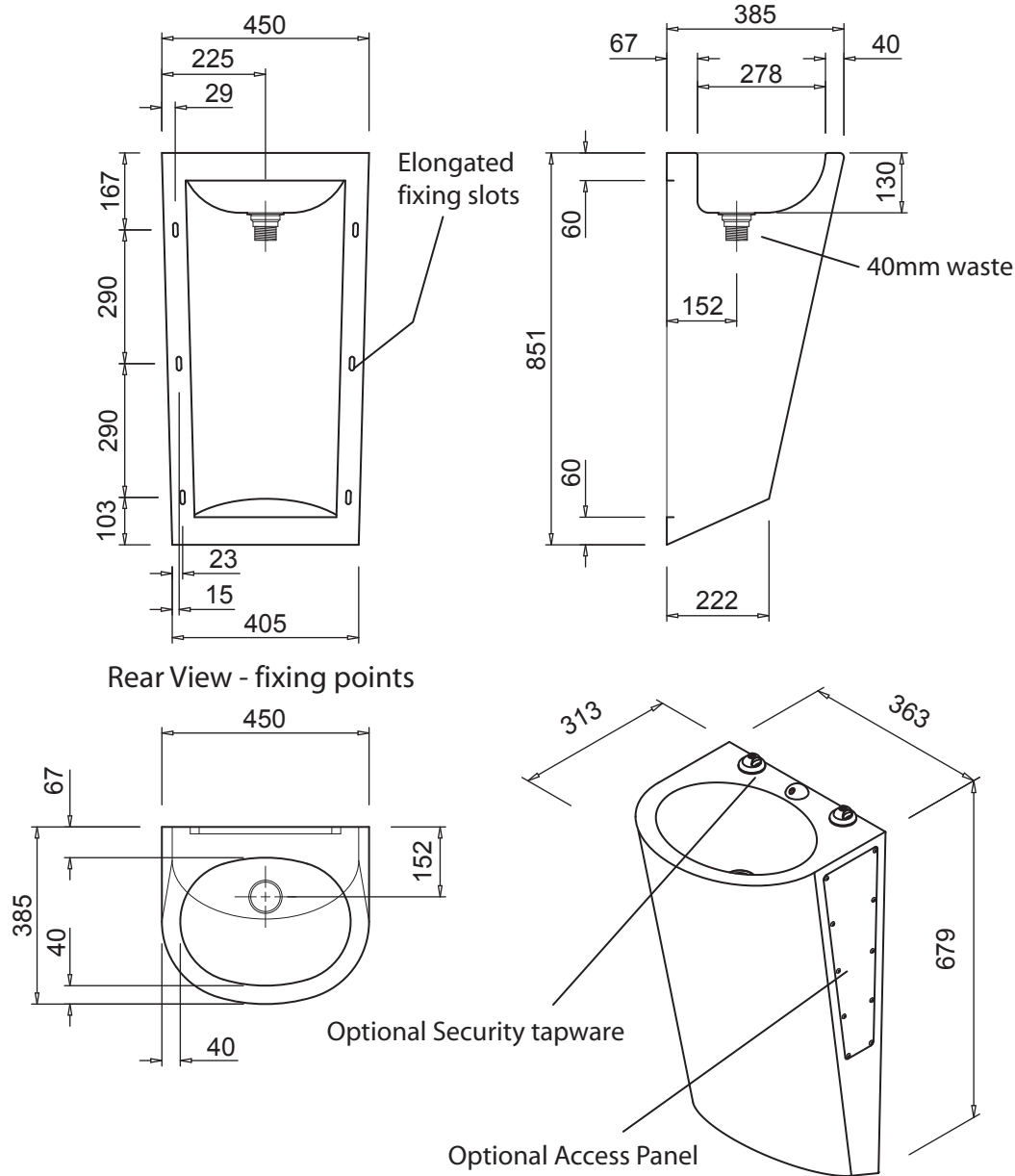
BRITEX

The **BRITEX Oval Security Basin** has been specially designed for high vandal / detention areas. Tapered design prevents ligature points and areas for concealment. Concealed fixing points to prevent removal / tampering.

SPBO

PRODUCT CODE:

SPBO



SPECIFICATIONS

When specifying this product, please include the following details;

- Product **Name** and **Model No.**

OPTIONS

- Optional Access Panel.
- Tap Holes; 1,2 or 3.
- Toilet roll holder.
- Tapware.

SPBO

Melbourne
 Britex Place, Mirra Court
 Bundoora
 Victoria 3083
 Telephone 1300 764 744
 Fax (03) 9466 9044

Sydney
 Unit 11, 16-18 Northumberland Rd
 Taren Point
 New South Wales 2229
 Telephone 1300 764 744
 Fax (02) 9531 2800



BRITEX
 STAINLESS STEEL FABRICATED PRODUCTS

www.britex.com.au

e-mail info@britex.com.au
 A.B.N. 83 004 309 737

Represented in all states of Australia, throughout Asia and the Pacific Regions.
 All product manufacturing by **BRITEX** can be adapted to suit your special application.
 Allow 5mm tolerance for setout dimensions given in these drawings. Details accurate at time of print.
 As **BRITEX** is always committed to improving on design and quality, it is possible that some details may alter without notice.

OVVAL SECURITY BASIN