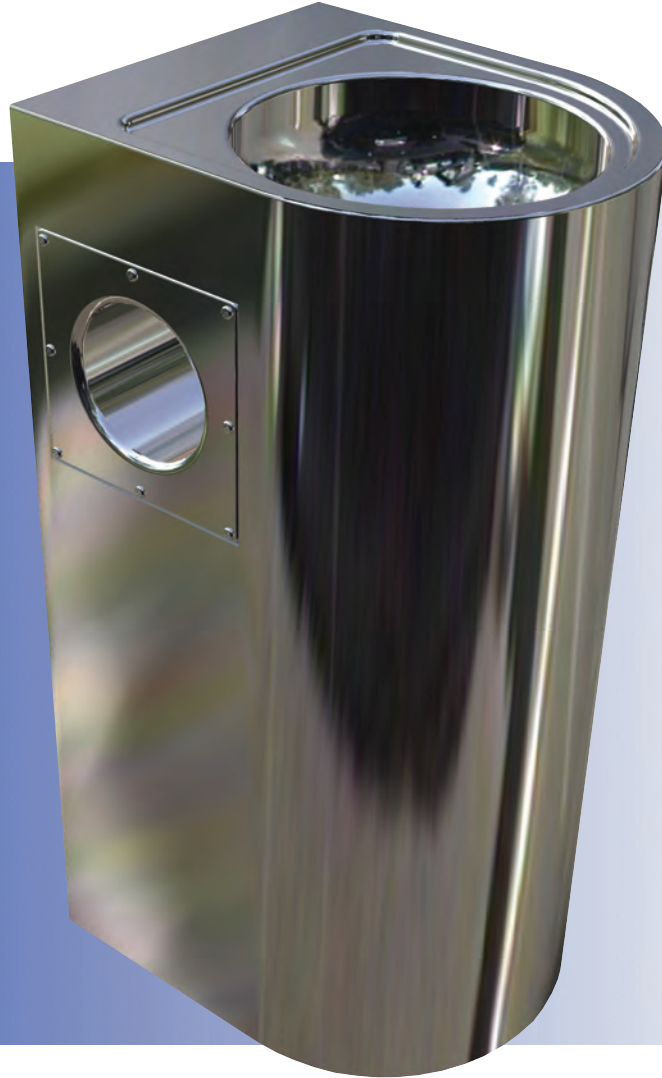


PEDESTAL SECURITY BASIN

FEATURES;

- Heavy duty stainless steel.
- Vandal resistant.
- One piece construction.
- Secure, vandal resistant fixings.
- Concealed plumbing.



BRITEX

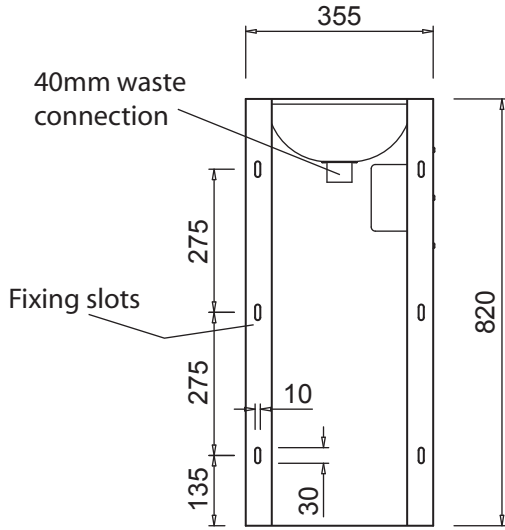
The **BRITEX Pedestal Security Basin** is designed primarily, but not exclusively, for areas prone to vandalism or detention facilities. It can be fitted with either manual or 'no touch' electronic tapware. All internal corners are fully radiused for easy cleaning.

SPB

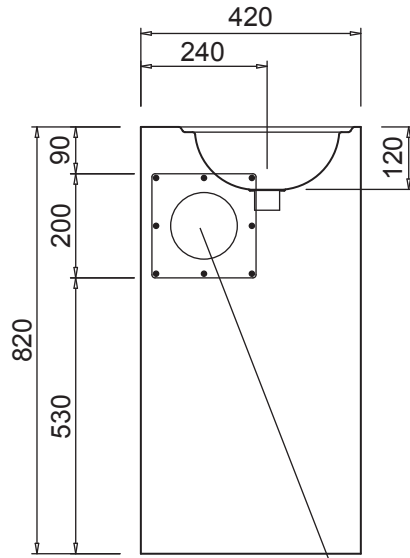
117

PRODUCT CODE:

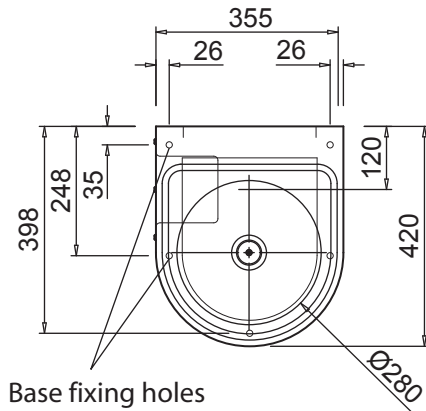
SPB



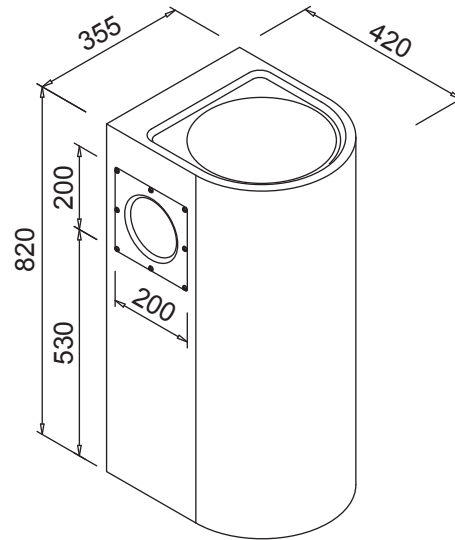
Rear View: Fixing Points



Optional Roll Holder



Base fixing holes



SPECIFICATIONS

When specifying this product, please include the following details;

- Product **Name** and **Model No.**

OPTIONS

- Tapware - manual or electronic.
- Security waste.
- Toilet roll holder.
- Access panel.

SPB

Melbourne
 Britex Place, Mirra Court
 Bundoora
 Victoria 3083
 Telephone 1300 764 744
 Fax (03) 9466 9044

Sydney
 Unit 11, 16-18 Northumberland Rd
 Taren Point
 New South Wales 2229
 Telephone 1300 764 744
 Fax (02) 9531 2800



www.britex.com.au

e-mail info@britex.com.au

A.B.N. 83 004 309 737

Represented in all states of Australia, throughout Asia and the Pacific Regions.
 All product manufacturing by **BRITEX** can be adapted to suit your special application.
 Allow 5mm tolerance for setout dimensions given in these drawings. Details accurate at time of print.
 As **BRITEX** is always committed to improving on design and quality, it is possible that some details may alter without notice.

PEDDESTAL SECURITY BASIN