

FEATURES;

- 1.2mm thickness.
- Grade 304 or 316 stainless.
- No. 4 Satin Finish
- Heavy duty brackets

G

Z

I

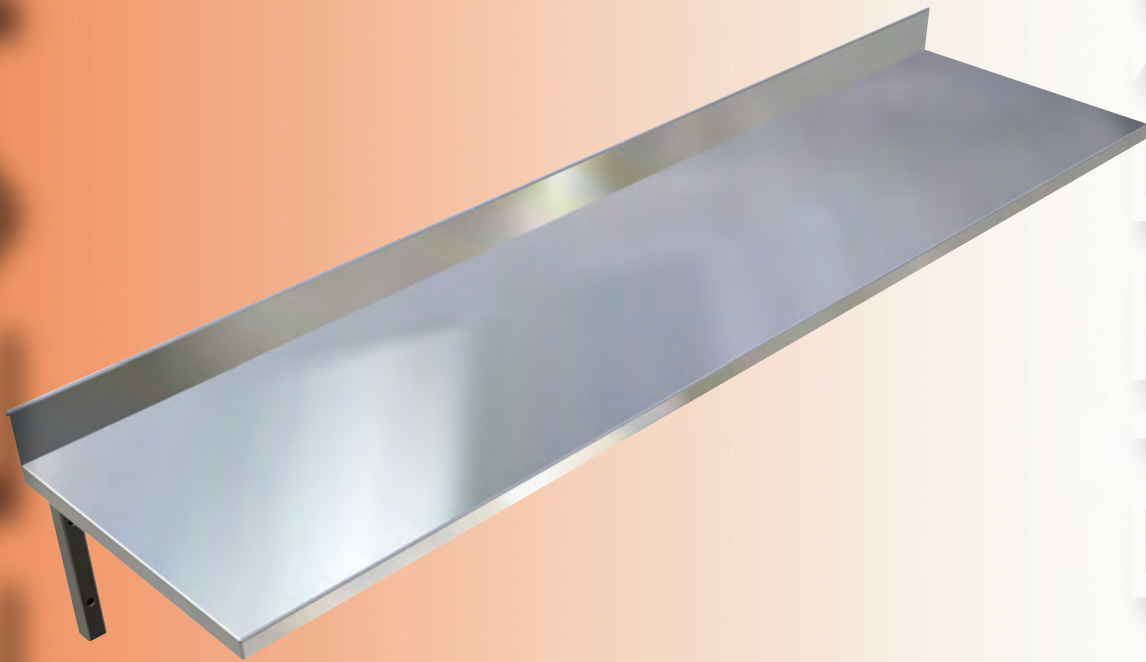
V

L

E

I

S

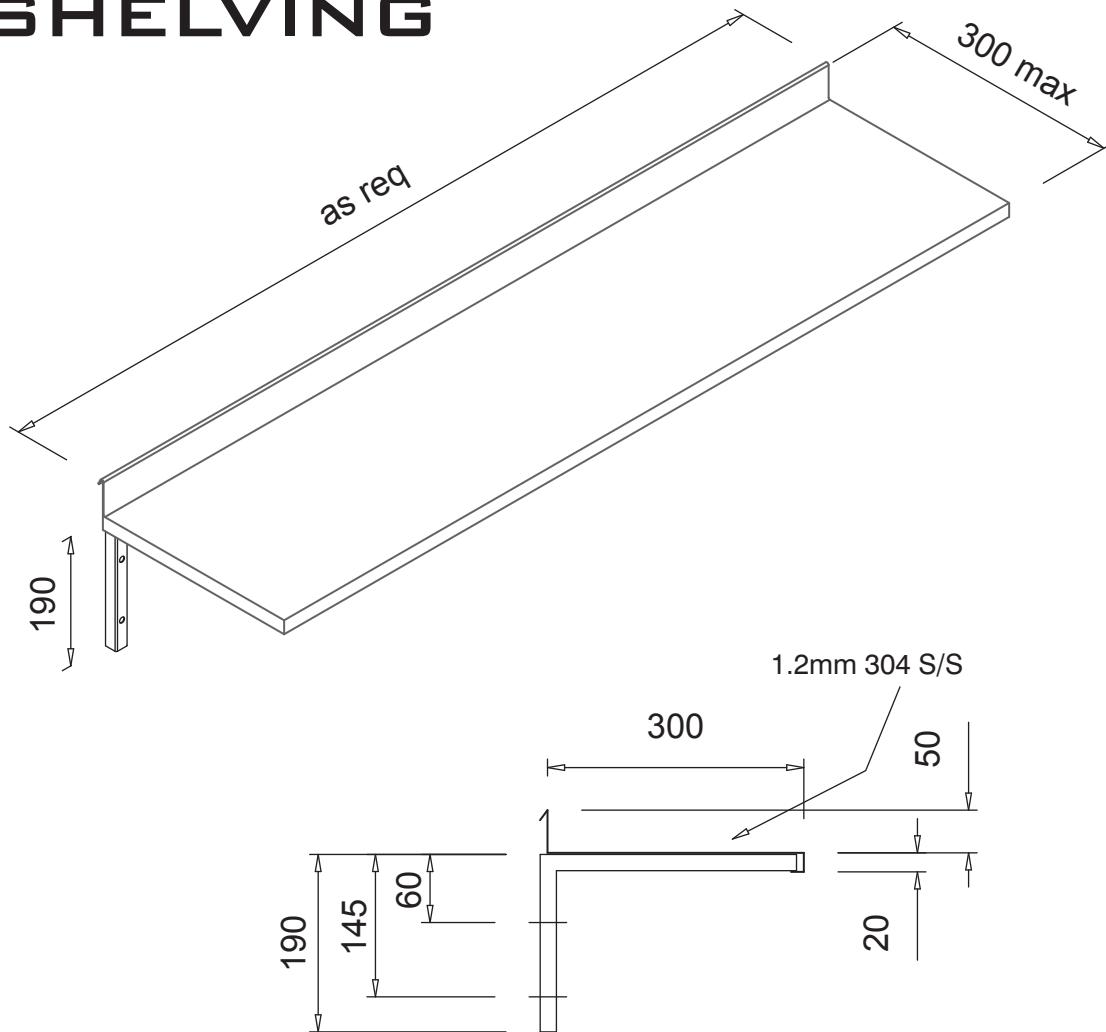


BRITEX

SHELVING

BRITEX Shelving is generally fabricated from 1.2mm type 304 stainless steel and comes in a satin finish. Shelving can be fabricated to any length, quantity in one unit, and distance of each shelf apart in the one unit.

PRODUCT CODE:

SHELVING**SHELVING****SHELVING.....****Britex standard construction;**

1.2mm type 304 or 316 Stainless steel sheet 300mm deep to length as required.

Supported on 1.2mm S/S angle brackets affixed to wall.

SPECIFICATIONS.

When specifying this product,
Refer to: "How to Specify" Page 76.

OPTIONS.

- Available in custom sizes.
- Multiple shelves.

Melbourne

Britex Place, Mirra Court
Bundoora
Victoria 3083
Telephone 1300 764 744
Fax (03) 9466 9044

Sydney

Unit 11, 16-18 Northumberland Rd
Taren Point
New South Wales 2229
Telephone 1300 764 744
Fax (02) 9531 2800



BRITEX
STAINLESS STEEL FABRICATED PRODUCTS

SINCE
1938

www.britex.com.au

e-mail info@britex.com.au

A.B.N. 83 004 309 737

Represented in all states of Australia, throughout Asia and the Pacific Regions.

All product manufacturing by **BRITEX** can be adapted to suit your special application.

Allow 5mm tolerance for setout dimensions given in these drawings. Details accurate at time of print.

As **BRITEX** is always committed to improving on design and quality, it is possible that some details may alter without notice.