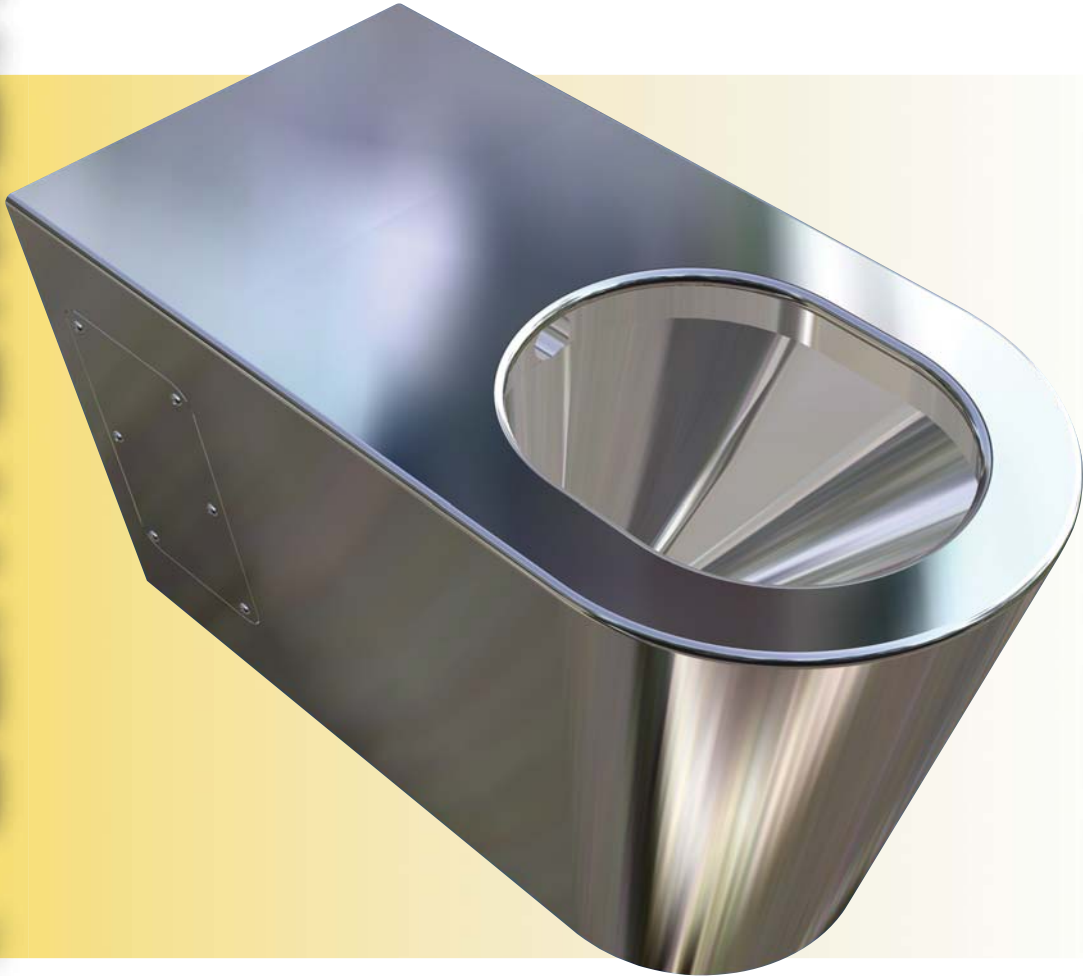


BRITEX CENTURION PAN

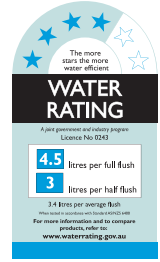
FEATURES;

- Available in 'S' or 'P' Trap models.
- Vandal proof design.
- Radiused edges.
- No ligature points.
- Contraband-proof trap.
- Concealed fixings.
- 4.5/3 ltr flushing (low flush).
- WELS approved.



BRITEX

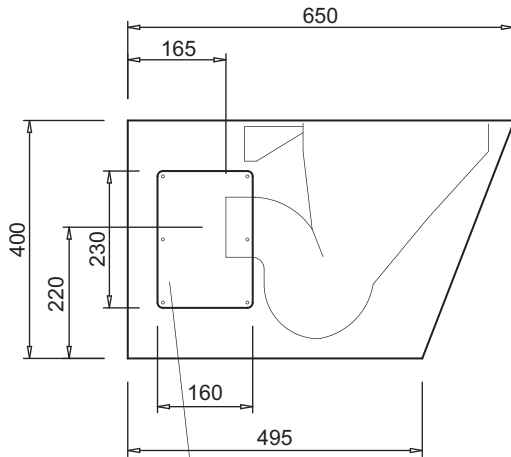
The **BRITEX Centurion Pan** is a vandal resistant, compact pan which ensures good design features such as concealed flushing rim, contraband-proof waste trap and fully welded shroud. Seat area is tapered to ensure drips and spills run into bowl area and not on the floor. Available in 'S' and 'P' trap.



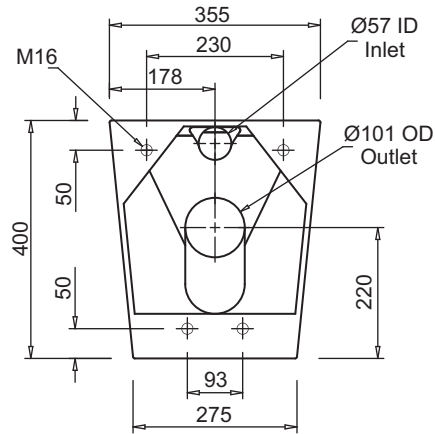
WaterMark
AS1172.1:2005
AS1172.2:1999
Lic. WMKA22054

PRODUCT CODE:

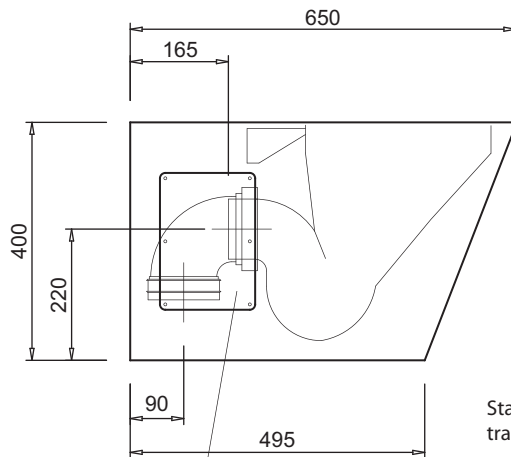
PCP & PCS



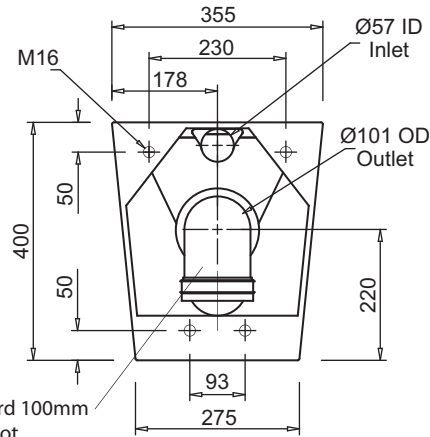
Access panel 230x160mm
to both sides, fitted with
tamper resistant screws.



Model PCP (P-Trap model)



Access panel 230x160mm
to both sides, fitted with
tamper resistant screws.



Standard 100mm
trap boot

Model PCS (S-Trap model)

SPECIFICATIONS.

When specifying this product,
please include the following details;

- Product **Name** and **Model No.**
- Product **Dimensions.**
- Product **Features / Options.**
- 4.5 / 3 Litre **Flush** (if using low flush cistern).

OPTIONS.

- S or P trap configuration.
- Seat.
- Front fixings.
- Rear fixings.

Melbourne

Britex Place, Mirra Court
Bundoora
Victoria 3083
Telephone 1300 764 744
Fax (03) 9466 9044

Sydney

Unit 11, 16-18 Northumberland Rd
Taren Point
New South Wales 2229
Telephone 1300 764 744
Fax (02) 9531 2800



Quality
ISO 9001

BRITEX
STAINLESS STEEL FABRICATED PRODUCTS

www.britex.com.au

e-mail info@britex.com.au
A.B.N. 83 004 309 737

SINCE
1938

BRITEX CENTURION PAN

Represented in all states of Australia, throughout Asia and the Pacific Regions.

All product manufacturing by **BRITEX** can be adapted to suit your special application.

Allow 5mm tolerance for setout dimensions given in these drawings. Details accurate at time of print.

As **BRITEX** is always committed to improving on design and quality, it is possible that some details may alter without notice.