

CYLINDRICAL PLASTER TRAP

47A

FEATURES;

- Heavy Duty Stainless Steel.
- Fully Welded Construction.
- Easy to Maintain.
- Removable Silt Bucket.
- Perfect for Medical Facilities, Schools and Art Rooms.



*OSCPT-C Model Shown

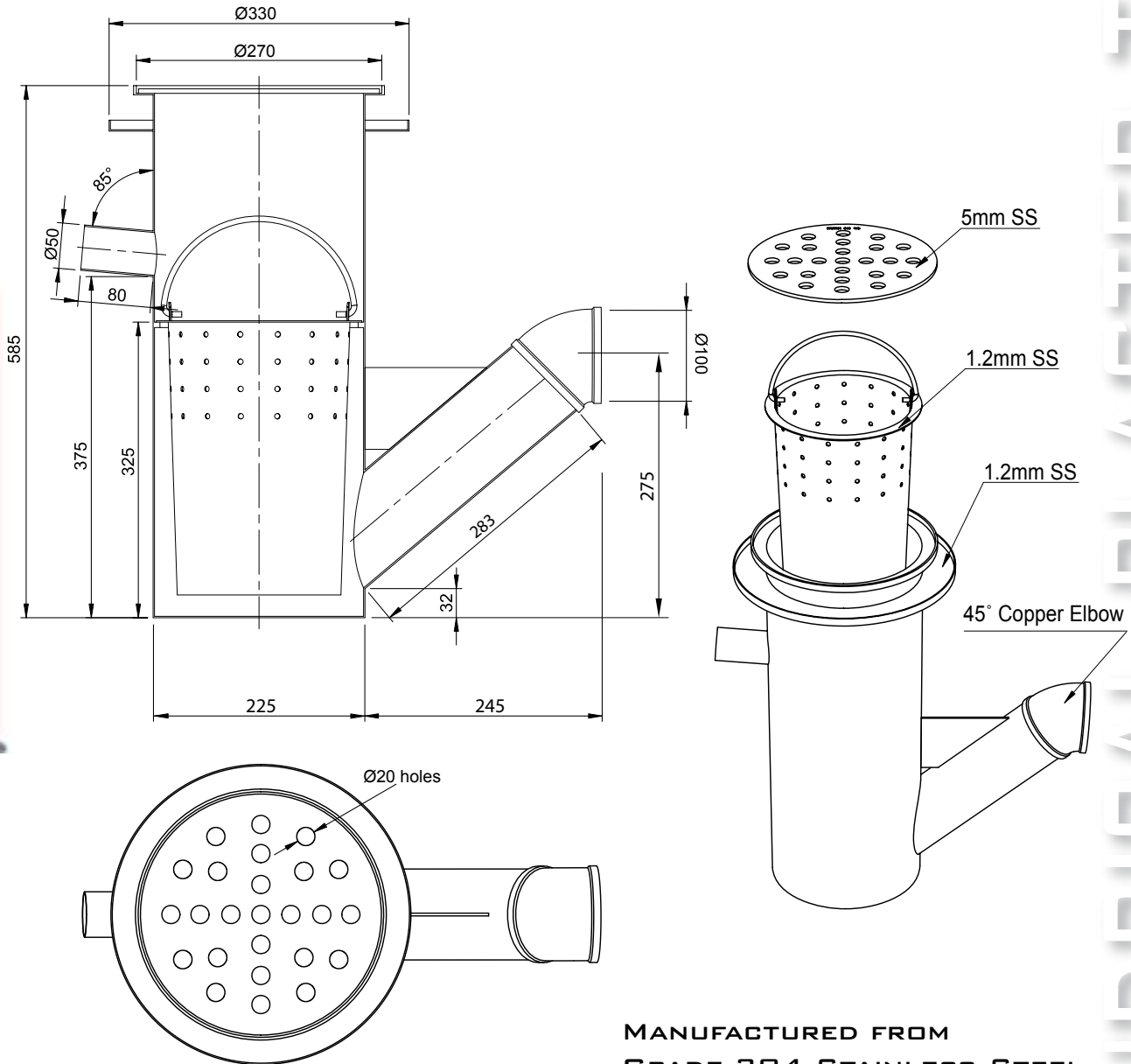
BRITEX

OSCPT

The **BRITEX Cylindrical Plaster Trap** is ideally suited to Hospitals, Laboratories, Medical Facilities and Art Rooms where waste water containing plaster needs to be filtered prior to entering plumbing infrastructure. Incorporating an easy to remove silt bucket for ease of cleaning and manufactured from heavy grade stainless steel, the Cylindrical Plaster Trap is robust and will provide many years of reliable service.

PRODUCT CODE:

OSCPT-C	BELOW GROUND FOR CONCRETE FLOOR
OSCPT-V	BELOW GROUND FOR VINYL FLOOR
OSCPT-A	ABOVE GROUND MODEL (SOLID LID)



MANUFACTURED FROM
GRADE 304 STAINLESS STEEL

SPECIFICATIONS.

When specifying this product, please include the following details;

- Product **Name** and **Model No.**
- Product **Dimensions.**

OPTIONS.

- Grade **316** Stainless Steel.
- 50mm Diameter Outlet Pipe.



Quality
ISO 9001

BRITEX SINCE 1938
STAINLESS STEEL FABRICATED PRODUCTS

Melbourne (head office)
Britex Place, Mirra Court
Bundoora
Victoria 3083
Telephone (03) 9466 9000
Fax (03) 9466 9044

Sydney
Unit 11, 16-18 Northumberland Rd
Taren Point
New South Wales 2229
Telephone (02) 9531 2100
Fax (02) 9531 2800

Perth
P.O. Box 294
Beechboro
Western Australia 6063
Telephone 0424 185 309
Fax (08) 9297 4083

National 1300 764 744

www.britex.com.au

info@britex.com.au

A.B.N. 83 004 309 737

Represented in all states of Australia, throughout Asia and the Pacific Regions.
All product manufacturing by **BRITEX** can be adapted to suit your special application.
Allow 5mm tolerance for setout dimensions given in these drawings. Details accurate at time of print.

CYLINDRICAL PLASTER TRAP

OSCPT