

50MM STAINLESS

WASTE

FEATURES;

- Grade 316 stainless steel.
- Fully machined from 316 stainless bar.
- Cast Brass backnut.
- Conforms to Australian standards.

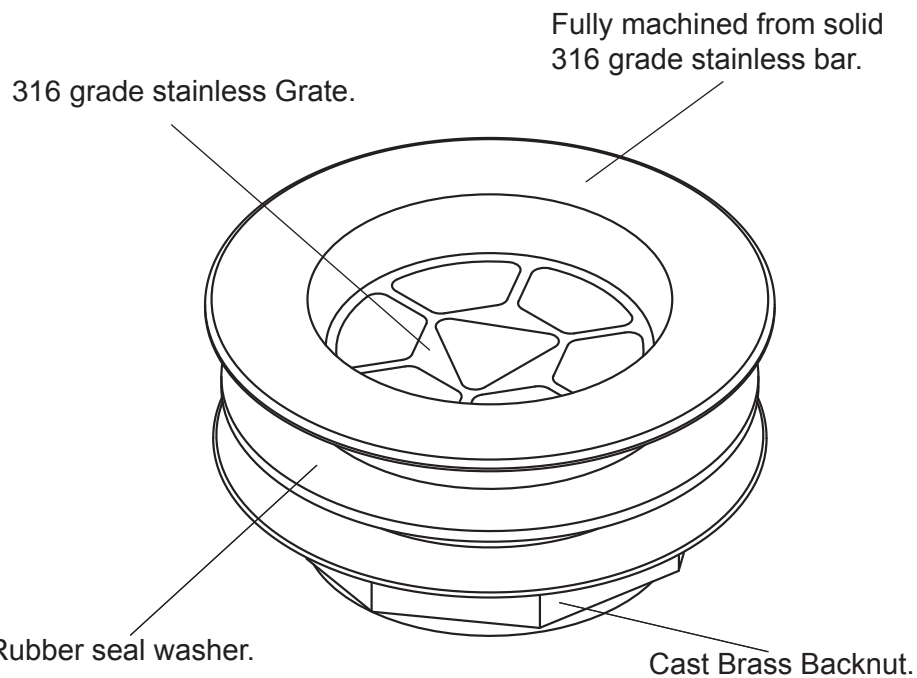


BRITEX

LSPW

The **BRITEX 50mm Stainless Steel Waste** is machined from type 316 acid resisting solid bar stainless steel and comes in a satin finish. The waste is designed for use in Lab Bowls and Sinks, and can be used wherever harsh chemicals or oxidising agents are present.

PRODUCT CODE:

LSPW

Fully Australian made.
Conforms to Australian Standards.

SPECIFICATIONS.

When specifying this product, please include the following details;

- Product **Name** and **Model No.**
- Product **Features.**

OPTIONS.

- Stainless steel stopper (plug)

Melbourne

Britex Place, Mirra Court
Bundoora
Victoria 3083
Telephone 1300 764 744
Fax (03) 9466 9044

Sydney

Unit 11, 16-18 Northumberland Rd
Taren Point
New South Wales 2229
Telephone 1300 764 744
Fax (02) 9531 2800



BRITEX
STAINLESS STEEL FABRICATED PRODUCTS

SINCE
1938

www.britex.com.au

e-mail info@britex.com.au
A.B.N. 83 004 309 737

Represented in all states of Australia, throughout Asia and the Pacific Regions.

All product manufacturing by **BRITEX** can be adapted to suit your special application.

Allow 5mm tolerance for setout dimensions given in these drawings. Details accurate at time of print.

As **BRITEX** is always committed to improving on design and quality, it is possible that some details may alter without notice.