

D R I P S I N K S

FEATURES;

- 1.2mm, grade 316 stainless.
- Standard & custom sizes available..



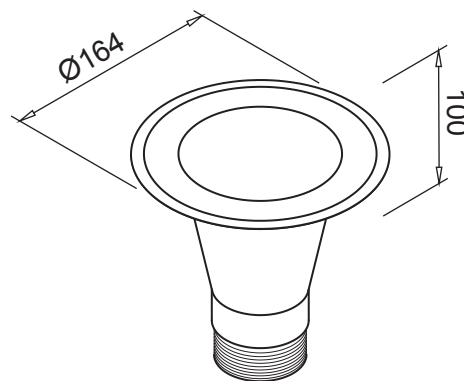
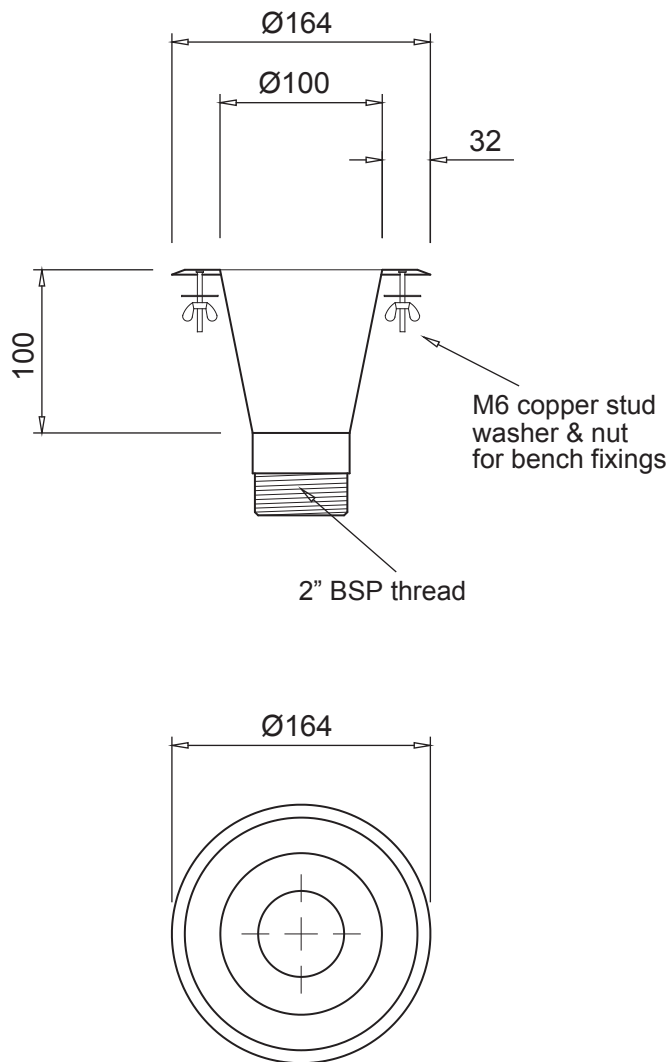
BRITEX

LDS

78

BRITEX Drip Sinks are fabricated from 1.2mm type 316 acid resisting stainless steel and come in a satin finish. The sinks are fitted with a 50mm BSP stainless steel thread for waste connection.

PRODUCT CODE:

LDSS
Y
D
N
E
Y
S
I
S
I
P
D

LDS

SPECIFICATIONS.

When specifying this product, please include the following details;

- Product **Name** and **Model No.**
- Product **Features.**
- Product **Dimensions.**

OPTIONS.

- Available in custom sizes.

Melbourne

Britex Place, Mirra Court
Bundoora
Victoria 3083
Telephone 1300 764 744
Fax (03) 9466 9044

Sydney

Unit 11, 16-18 Northumberland Rd
Taren Point
New South Wales 2229
Telephone 1300 764 744
Fax (02) 9531 2800



BRITEX
STAINLESS STEEL FABRICATED PRODUCTS

SINCE
1938

www.britex.com.au

e-mail info@britex.com.au
A.B.N. 83 004 309 737

Represented in all states of Australia, throughout Asia and the Pacific Regions.

All product manufacturing by **BRITEX** can be adapted to suit your special application.

Allow 5mm tolerance for setout dimensions given in these drawings. Details accurate at time of print.

As **BRITEX** is always committed to improving on design and quality, it is possible that some details may alter without notice.