

FABRICATED LABORATORY BOWLS

FEATURES;

- Acid resisting type 316 stainless steel.
- Inset into any benchtop type.
- Cannot crack or chip.
- Available in standard or custom sizes.



BRITEX

LB

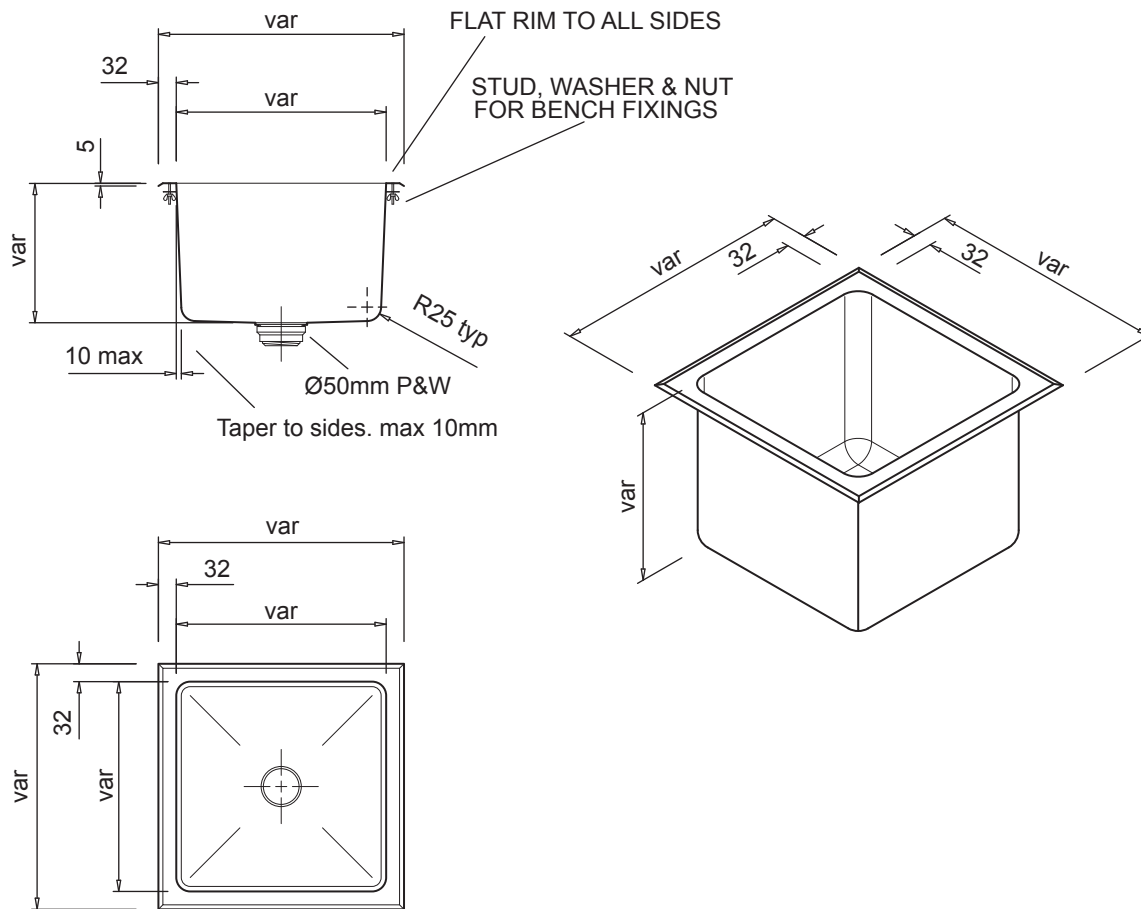
68

BRITEX Fabricated Laboratory Bowls offer the durability and acid resisting qualities of type 316 stainless steel. They can be inset into any benchtop, and are ideal for use in school science blocks and any application where chemicals are used.

PRODUCT CODES:

BOWL NAME:	INTERNAL SIZE:	OVERALL SIZE:
LB 1	250x250x250MM	314x314x250MM DEEP
LB 2	300x300x290MM	364x364x290MM DEEP
LB 3	350x350x265MM	414x414x265MM DEEP
LB 4	400x400x290MM	464x464x290MM DEEP

LB

**SPECIFICATIONS.**

When specifying this product, please include the following details;

- Product **Name** and **Model No.**
- Product **Features.**

OPTIONS.

- Stainless steel waste. Ref page 74.
- Custom sizes available.
- Available as undermount bowl - model LBU-.

Melbourne

Britex Place, Mirra Court
Bundoora
Victoria 3083
Telephone 1300 764 744
Fax (03) 9466 9044

Sydney

Unit 11, 16-18 Northumberland Rd
Taren Point
New South Wales 2229
Telephone 1300 764 744
Fax (02) 9531 2800



Quality
Endorsed
Company
ISO 9001 Lic4509
SAI Global

BRITEX
STAINLESS STEEL FABRICATED PRODUCTS

SINCE
1938

www.britex.com.au

e-mail info@britex.com.au

A.B.N. 83 004 309 737

Represented in all states of Australia, throughout Asia and the Pacific Regions.

All product manufacturing by **BRITEX** can be adapted to suit your special application.

Allow 5mm tolerance for setout dimensions given in these drawings. Details accurate at time of print.

As **BRITEX** is always committed to improving on design and quality, it is possible that some details may alter without notice.