

# WALL MOUNTED HAND BASIN

## FEATURES;

- Heavy duty type 304 stainless steel
- 40mm waste.
- 50mm blade upstand to rear.
- Heavy duty brackets.

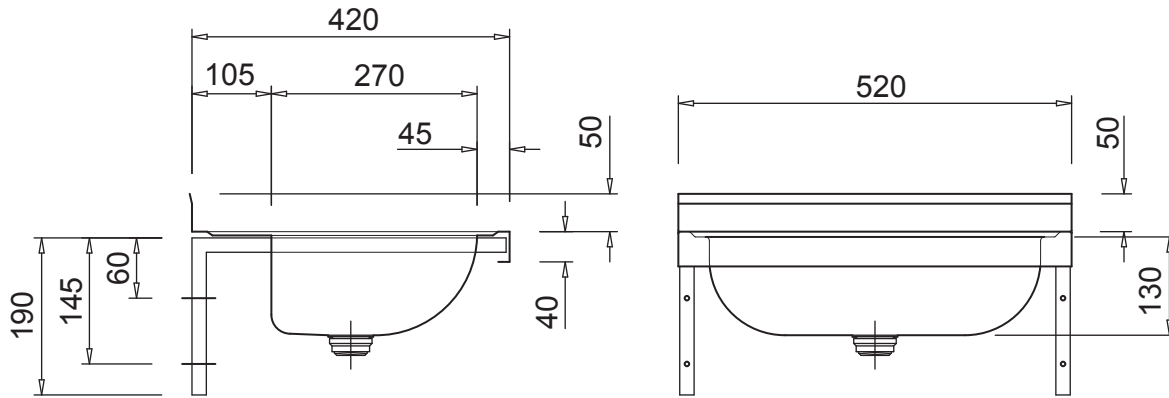


BRITEX

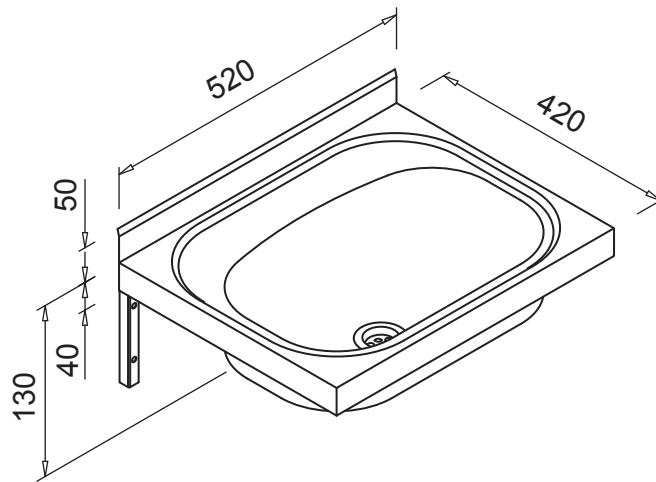
HBS

The **BRITEX Wall Mounted Hand Basin** is a robust economical hand basin, ideal for use in schools, public amenities, sporting clubs & factories. Mounted on heavy duty wall brackets, available in 1, 2 or 3 tap hole configuration.

PRODUCT CODE:

**HBS**

REAR VIEW

**HBS****SPECIFICATIONS**

When specifying this product, please include the following details;

- Product **Name** and **Model No.**
- Product **Features.**

**OPTIONS**

- Tap holes.
- Splashback Panel.

**Melbourne**

Britex Place, Mirra Court  
Bundoora  
Victoria 3083  
Telephone 1300 764 744  
Fax (03) 9466 9044

**Sydney**

Unit 11, 16-18 Northumberland Rd  
Taren Point  
New South Wales 2229  
Telephone 1300 764 744  
Fax (02) 9531 2800



**BRITEX**  
STAINLESS STEEL FABRICATED PRODUCTS

SINCE 1938

[www.britex.com.au](http://www.britex.com.au)

e-mail [info@britex.com.au](mailto:info@britex.com.au)

A.B.N. 83 004 309 737

Represented in all states of Australia, throughout Asia and the Pacific Regions.

All product manufacturing by **BRITEX** can be adapted to suit your special application.

Allow 5mm tolerance for setout dimensions given in these drawings. Details accurate at time of print.

As **BRITEX** is always committed to improving on design and quality, it is possible that some details may alter without notice.