

# REGAL VANITY BASIN

## FEATURES;

- Mirror finish.
- Inset basin for benchtop mounting.
- Contemporary design.
- Rear hob for tapware.

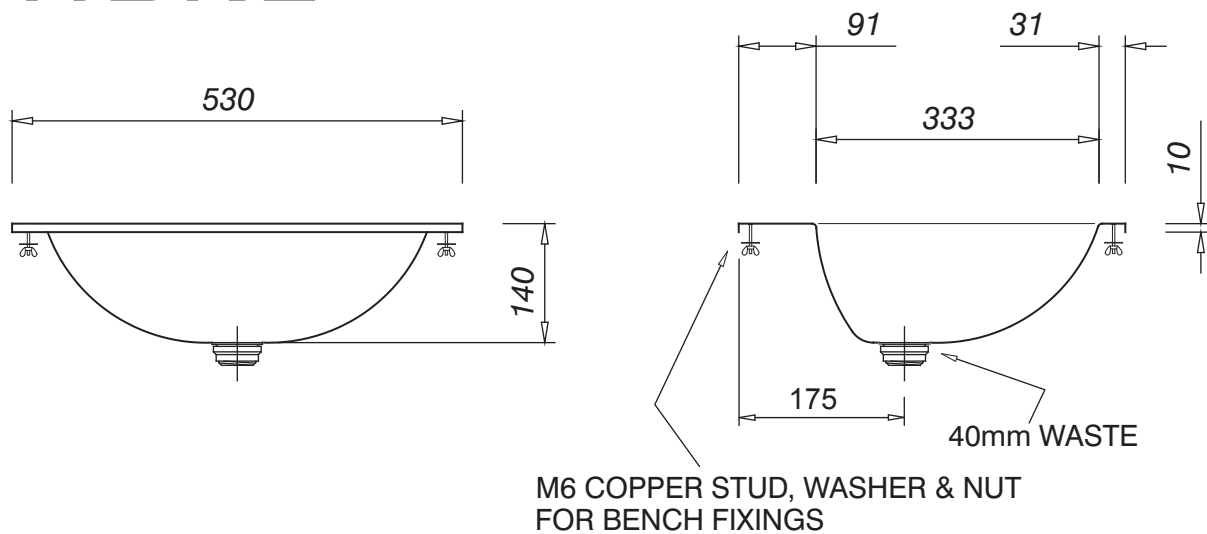


# BRITEX

## HBRE

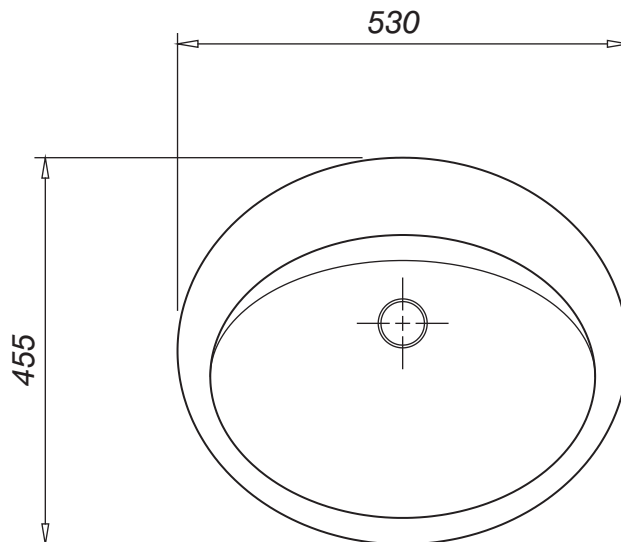
The **BRITEX Regal Vanity Basin** is a robust economical hand basin, with the added appeal of a lustrous full mirror finish. Ideal for use in joinery benchtops with the benefit of a rear hob for tapware .

PRODUCT CODE:

**HBRE**

REGAL HAND BASIN

HBRE

**SPECIFICATIONS.**

When specifying this product, please include the following details;

- Product **Name** and **Model No.**
- Product **Features.**

**OPTIONS.**

- Tap holes.
- Satin flange, mirror bowl.

**Melbourne**

Britex Place, Mirra Court  
Bundoora  
Victoria 3083  
Telephone 1300 764 744  
Fax (03) 9466 9044

**Sydney**

Unit 11, 16-18 Northumberland Rd  
Taren Point  
New South Wales 2229  
Telephone 1300 764 744  
Fax (02) 9531 2800



**BRITEX** SINCE 1938  
STAINLESS STEEL FABRICATED PRODUCTS

[www.britex.com.au](http://www.britex.com.au)

e-mail [info@britex.com.au](mailto:info@britex.com.au)  
A.B.N. 83 004 309 737

Represented in all states of Australia, throughout Asia and the Pacific Regions.

All product manufacturing by **BRITEX** can be adapted to suit your special application.

Allow 5mm tolerance for setout dimensions given in these drawings. Details accurate at time of print.

As **BRITEX** is always committed to improving on design and quality, it is possible that some details may alter without notice.