

MULTI KNEE OPERATED BASIN

FEATURES;

- I Simple installation.
- I Hygienic
- I Health Department approved.
- I No electrical fittings.
- I Concealed plumbing.
- I Pre plumbed.
- I Ideal for schools, hospitals, food prep areas & factories.

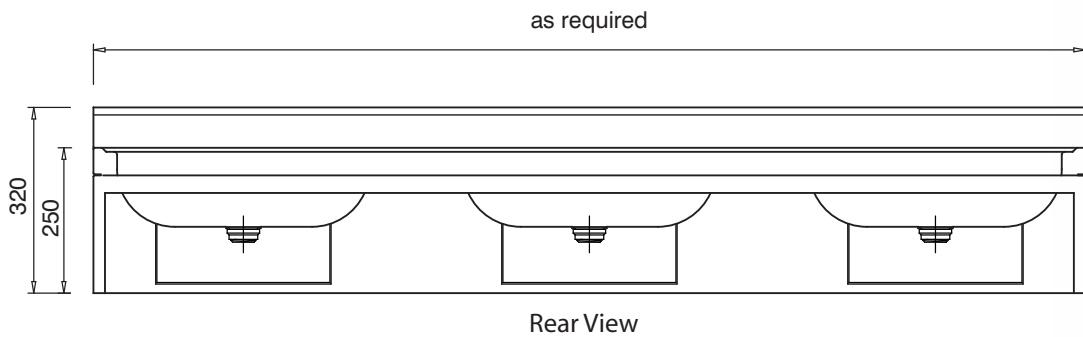


BRITEX

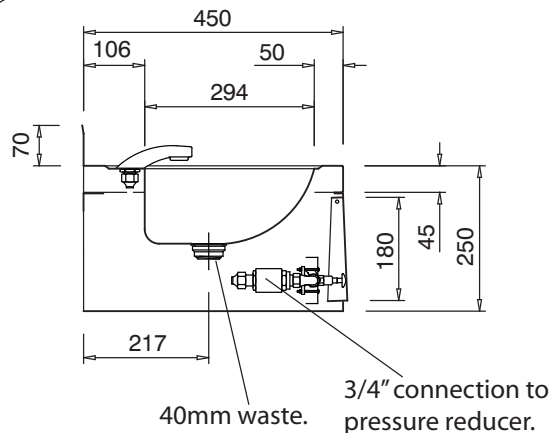
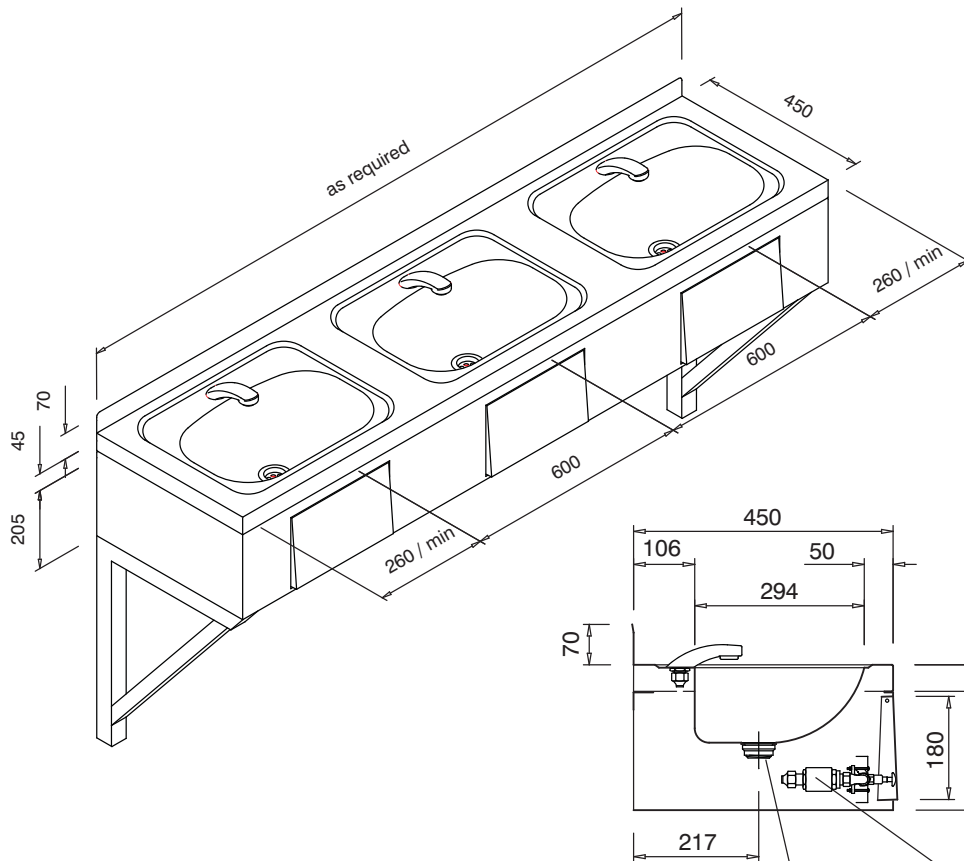
HBMKO

The **BRITEX Multi Knee Operated Basin** is ideal for areas of multiple users, as there is no need to turn on taps, just push the panel with your knee. As this unit is pre plumbed, installation is quick and simple. Supplied with wall brackets and tapware.

PRODUCT CODE:

HBMKO

Rear View



40mm waste.

3/4" connection to pressure reducer.

SPECIFICATIONS

When specifying this product, please include the following details;

- I Product **Name** and **Model No.**
- I Product **Features.**
- I Product **Length.**
- I No. of **bowls.**

Melbourne

Britex Place, Mirra Court
Bundoora
Victoria 3083
Telephone 1300 764 744
Fax (03) 9466 9044

Sydney

Unit 11, 16-18 Northumberland Rd
Taren Point
New South Wales 2229
Telephone 1300 764 744
Fax (02) 9531 2800

OPTIONS

- I Length of basin unit.
- I No. of basins / control panels / outlets.
- I End flashings.
- I Tempering Valves.

Represented in all states of Australia, throughout Asia and the Pacific Regions.

All product manufacturing by **BRITEX** can be adapted to suit your special application.

Allow 5mm tolerance for setout dimensions given in these drawings. Details accurate at time of print.

As **BRITEX** is always committed to improving on design and quality, it is possible that some details may alter without notice.



BRITEX
STAINLESS STEEL FABRICATED PRODUCTS

SINCE
1938

www.britex.com.au

e-mail info@britex.com.au

A.B.N. 83 004 309 737

MULTI KNEE OPERATED BASIN