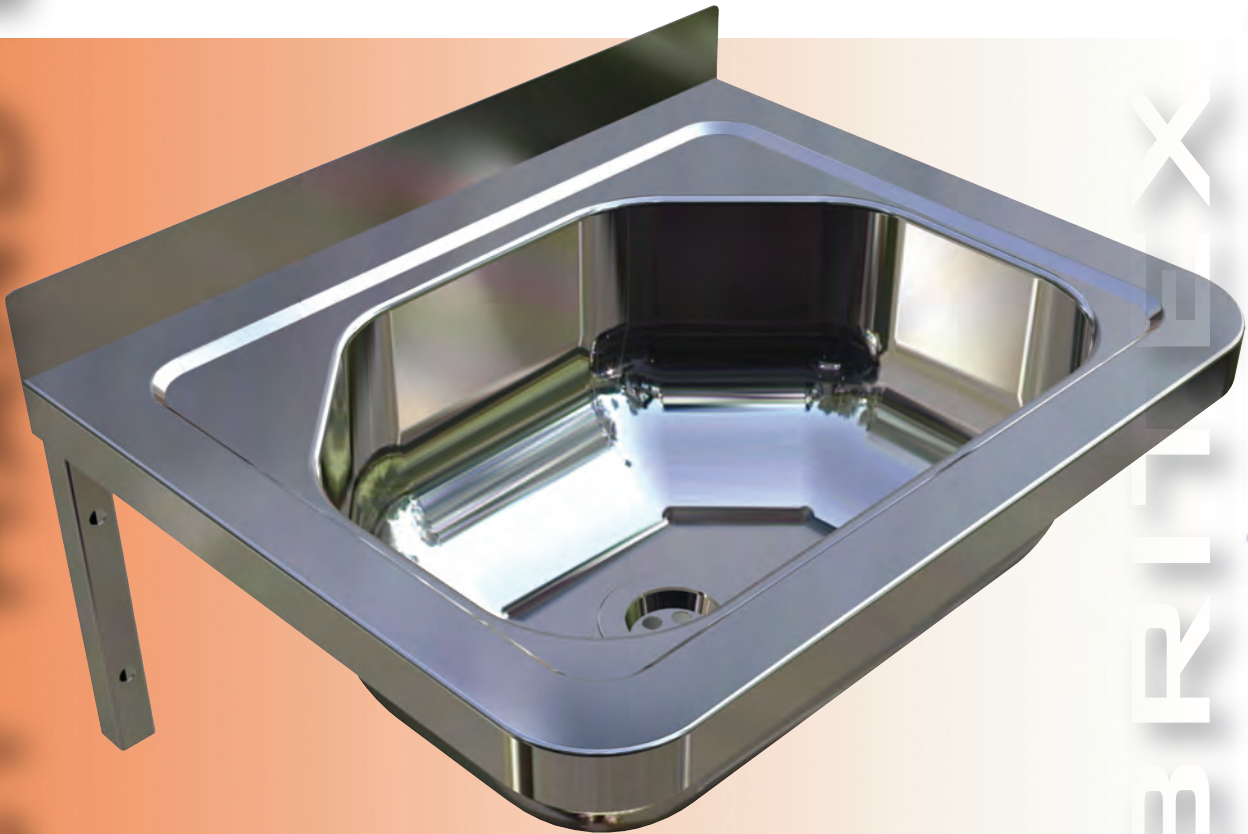


COMPACT HAND BASIN

FEATURES;

- Heavy duty type 304 stainless steel
- 40mm waste.
- 30mm blade upstand to rear.
- Heavy duty stainless steel brackets.



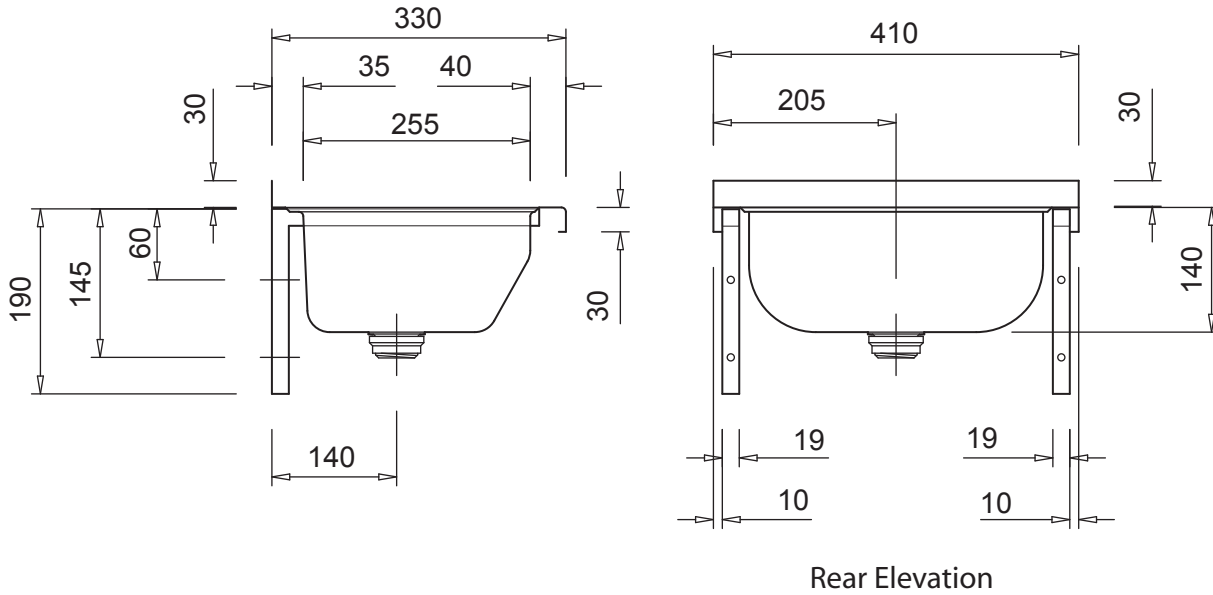
BRITEX

HBMB

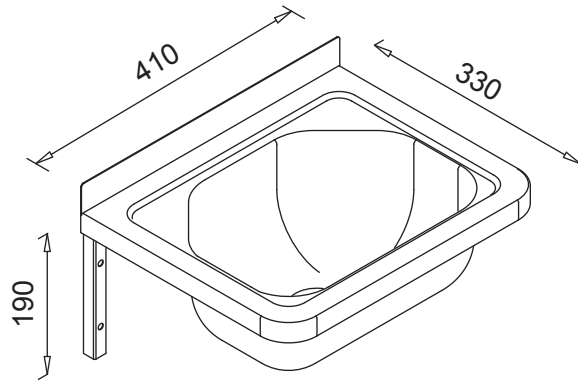
50

The **BRITEX Compact Hand Basin** is a robust economical hand basin, ideal for use in schools, public amenities, sporting clubs & factories. Mounted on heavy duty stainless steel wall brackets.

PRODUCT CODE:

HBMB

Rear Elevation

**HBMB****SPECIFICATIONS**

When specifying this product, please include the following details;

- Product **Name** and **Model No.**

OPTIONS

- Tapholes LH / RH or both.
- Splashback Panel.

Melbourne

Britex Place, Mirra Court
Bundoora
Victoria 3083
Telephone 1300 764 744
Fax (03) 9466 9044

Sydney

Unit 11, 16-18 Northumberland Rd
Taren Point
New South Wales 2229
Telephone 1300 764 744
Fax (02) 9531 2800



BRITEX SINCE 1938
STAINLESS STEEL FABRICATED PRODUCTS

www.britex.com.au

e-mail info@britex.com.au

A.B.N. 83 004 309 737

Represented in all states of Australia, throughout Asia and the Pacific Regions.

All product manufacturing by **BRITEX** can be adapted to suit your special application.

Allow 5mm tolerance for setout dimensions given in these drawings. Details accurate at time of print.

As **BRITEX** is always committed to improving on design and quality, it is possible that some details may alter without notice.