

# KNEE OPERATED HAND BASIN

## FEATURES;

- Easy to use.
- Quick to install.
- Hygienic.
- Knee / thigh action to operate.
- Robust.
- Health Department approved.
- AQIS approved.



# BRITEX

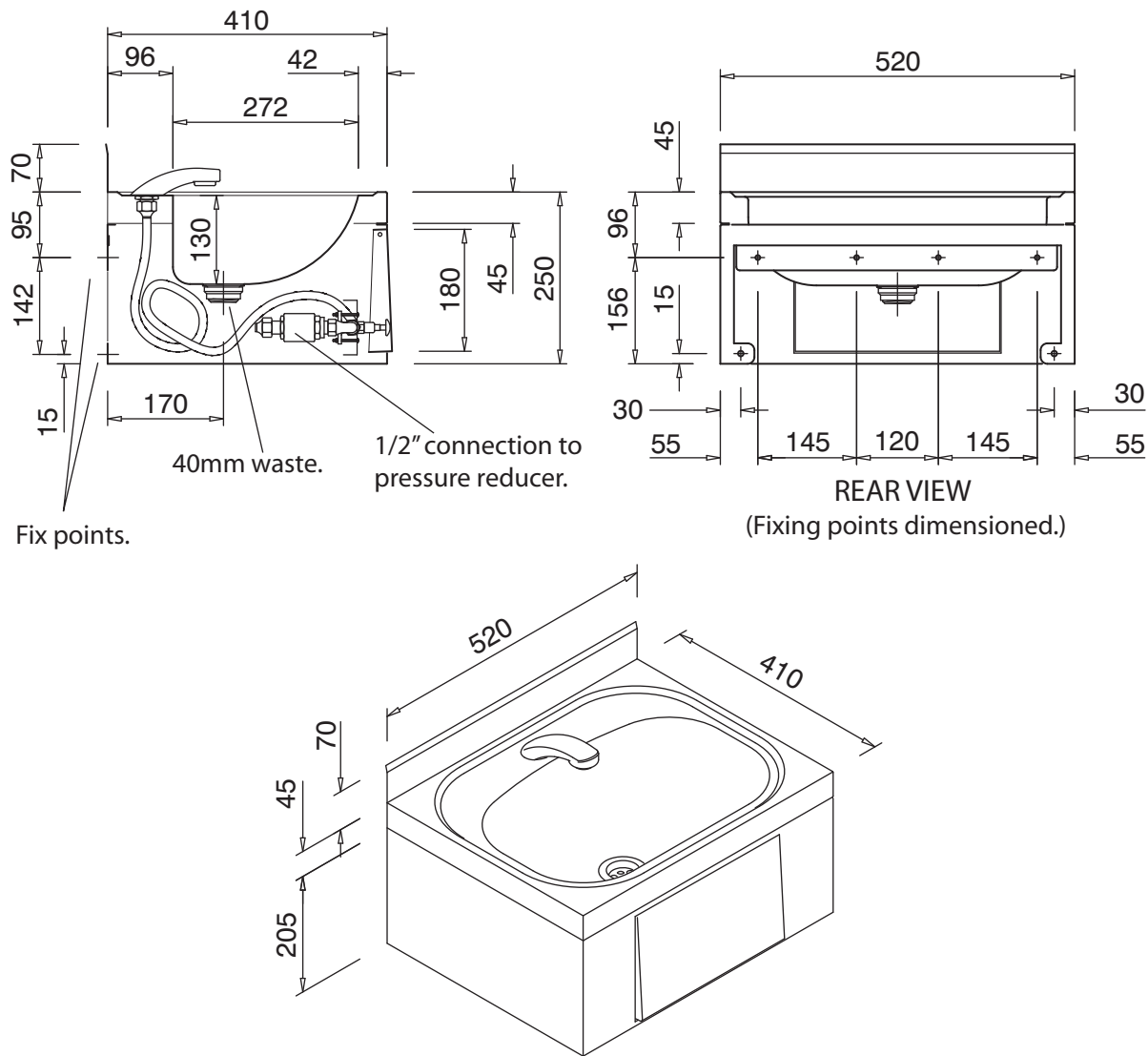
## HBKO

The **BRITEX Knee Operated Hand Basin** has been designed to suit areas of food handling. The neat and compact push panel allows for a 'no touch' operation, allowing hands to be washed free of contamination. Supplied with an adjustable time valve, spout and pressure limiting valve, this unit is quick and easy to install.

PRODUCT CODE:

**HBKO**

KNEE OPERATED HAND BASIN

**HBKO****SPECIFICATIONS.**

When specifying this product, please include the following details;

- Product **Name** and **Model No.**

**OPTIONS.**

- Tempering valve.
- Pre plumbed.

**Melbourne**

Britex Place, Mirra Court  
Bundoora  
Victoria 3083  
Telephone 1300 764 744  
Fax (03) 9466 9044

**Sydney**

Unit 11, 16-18 Northumberland Rd  
Taren Point  
New South Wales 2229  
Telephone 1300 764 744  
Fax (02) 9531 2800



**BRITEX**  
STAINLESS STEEL FABRICATED PRODUCTS

SINCE 1938

[www.britex.com.au](http://www.britex.com.au)

e-mail [info@britex.com.au](mailto:info@britex.com.au)

A.B.N. 83 004 309 737

Represented in all states of Australia, throughout Asia and the Pacific Regions.

All product manufacturing by **BRITEX** can be adapted to suit your special application.

Allow 5mm tolerance for setout dimensions given in these drawings. Details accurate at time of print.

As **BRITEX** is always committed to improving on design and quality, it is possible that some details may alter without notice.