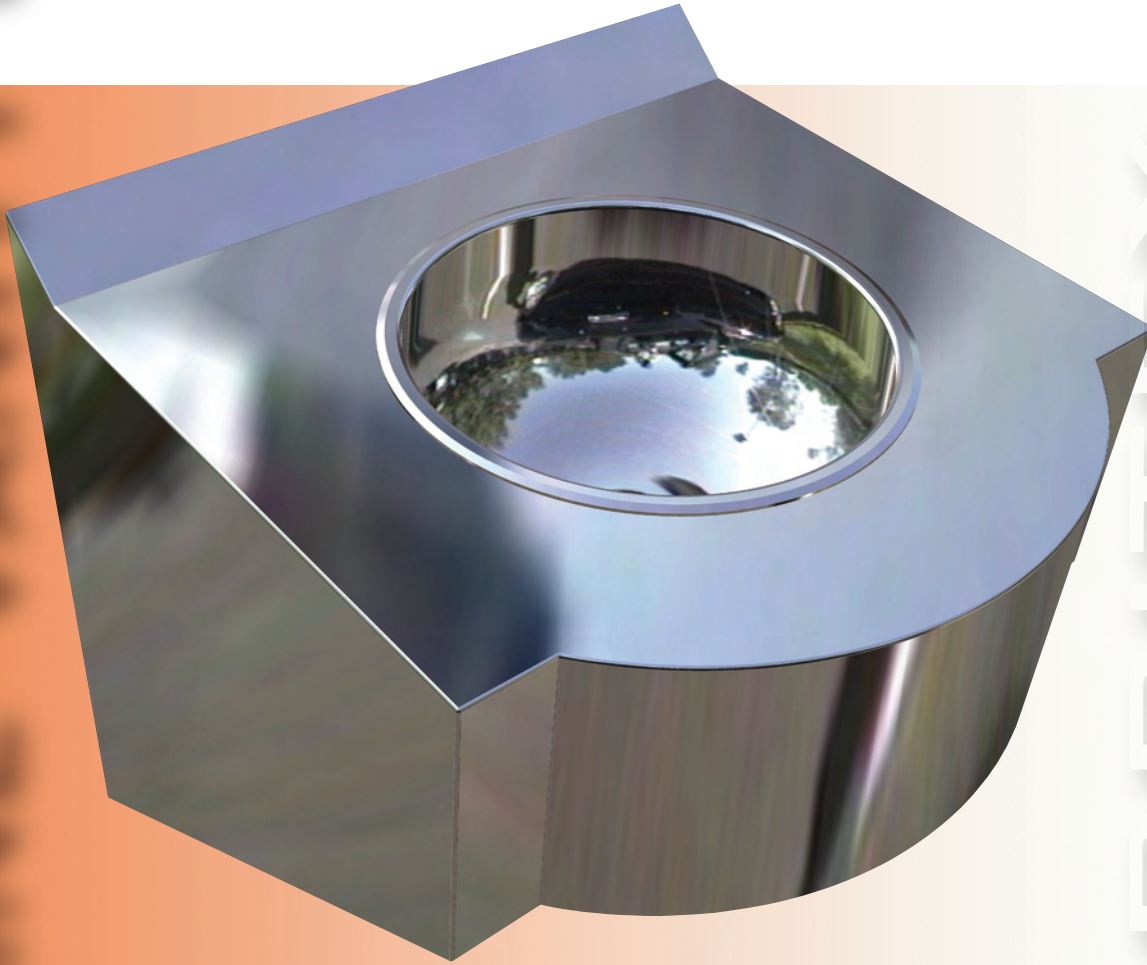


# CURVELINE VANITY BASIN

## FEATURES;

- Heavy duty type 304 stainless steel
- 40mm waste.
- 50mm angled upstand to rear.
- Concealed fixings.
- Secure access panel.



# BRITEX

## HBC

60

The **BRITEX Curveline Vanity Basin** is a robust hand basin, ideal for use in schools, public amenities, sporting clubs & factories. Fabricated from heavy duty stainless, the unit provides concealed fixings and security access panel. Available with tap holes if required.

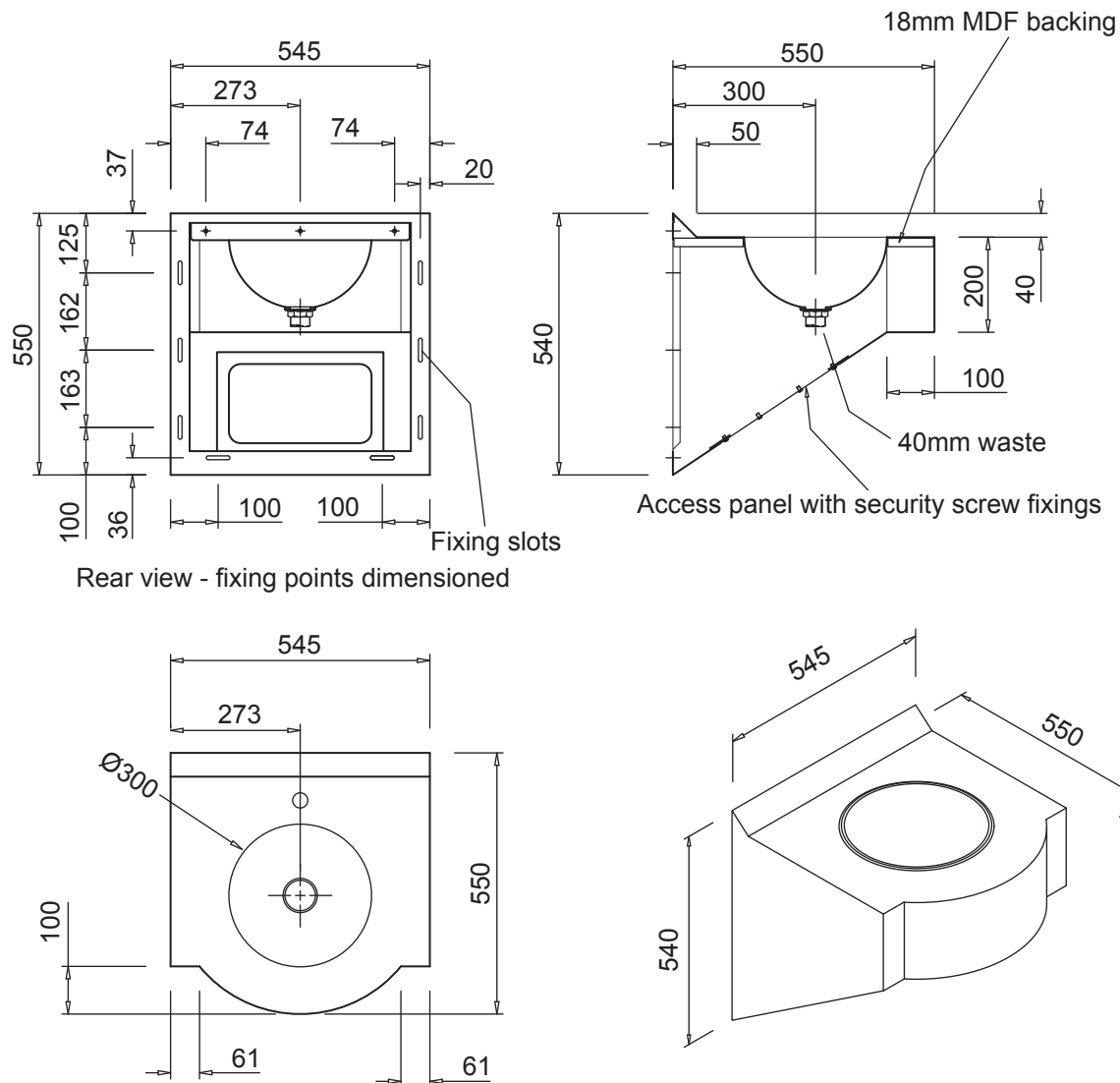
PRODUCT CODE:

**HBC 1 - DROP-IN BOWL**

**HBC 2 - FULLY WELDED BOWL**

CURVELINE VANITY BASIN

HBC



## SPECIFICATIONS

When specifying this product, please include the following details;

- Product **Name** and **Model No.**

## OPTIONS

- Bowl type/style.
- Tap holes.

**Melbourne**  
Britex Place, Mirra Court  
Bundoora  
Victoria 3083  
Telephone 1300 764 744  
Fax (03) 9466 9044

**Sydney**  
Unit 11, 16-18 Northumberland Rd  
Taren Point  
New South Wales 2229  
Telephone 1300 764 744  
Fax (02) 9531 2800



**BRITEX** SINCE 1938  
STAINLESS STEEL FABRICATED PRODUCTS

[www.britex.com.au](http://www.britex.com.au)

e-mail [info@britex.com.au](mailto:info@britex.com.au)

A.B.N. 83 004 309 737

Represented in all states of Australia, throughout Asia and the Pacific Regions.

All product manufacturing by **BRITEX** can be adapted to suit your special application.

Allow 5mm tolerance for setout dimensions given in these drawings. Details accurate at time of print.

As **BRITEX** is always committed to improving on design and quality, it is possible that some details may alter without notice.