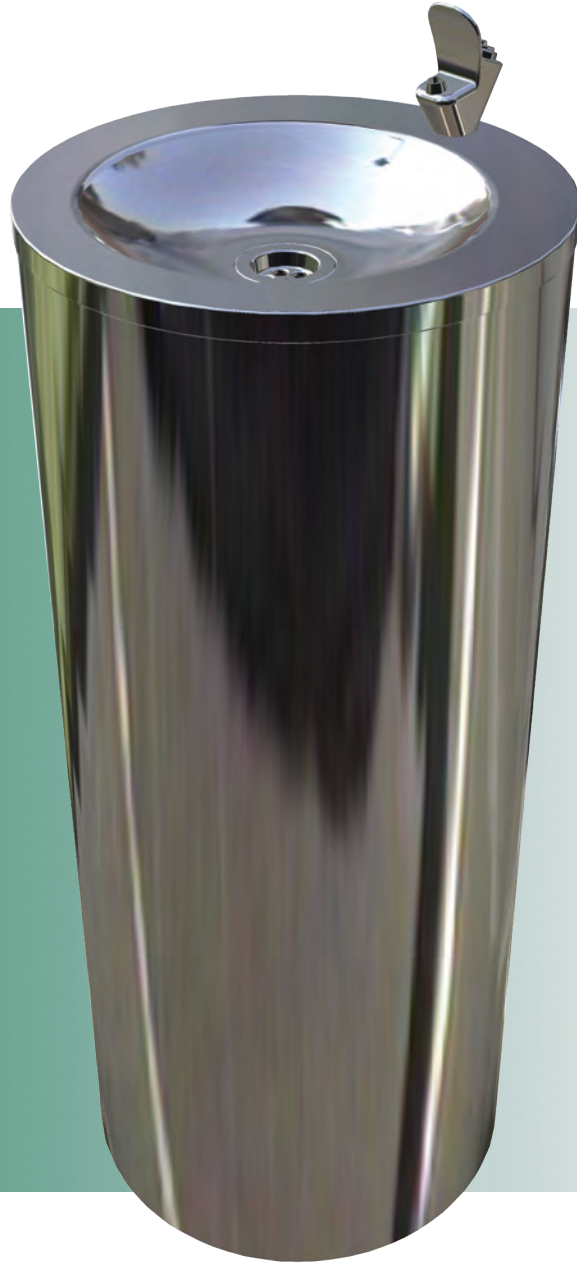


# DRINKING FOUNTAIN ROUND

## FEATURES;

- Fully welded construction.
- Secure access panel.
- Easy to clean.
- Ideal for schools, amenities areas, sports pavilions.

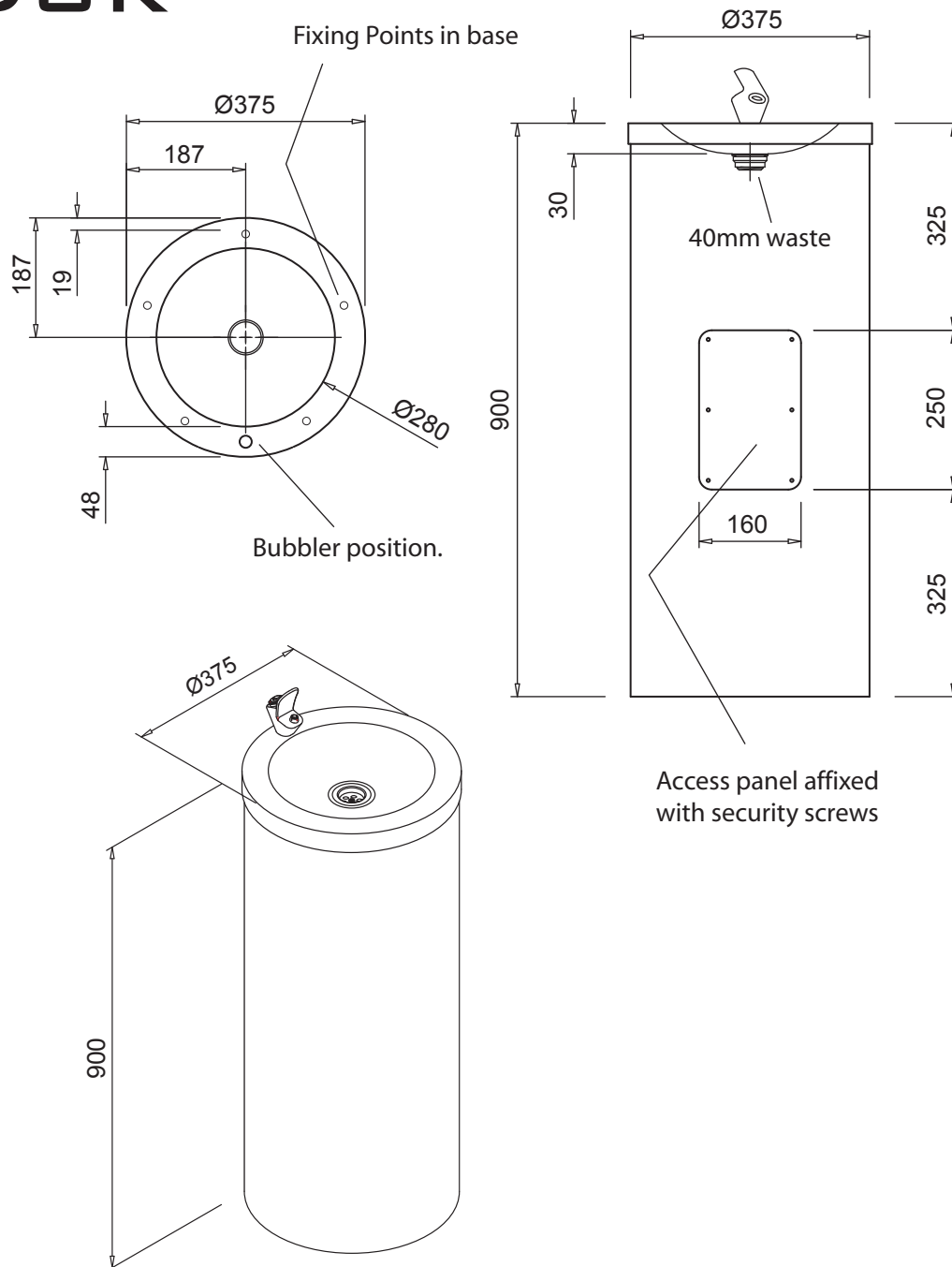


# BRITEX

## DSR

The **BRITEX Drinking Fountain Round** is manufactured from type 304 stainless steel. This unit is cylindrical with no corners or sharp edges, and a flush mounted access panel, screw fixed with anti-vandal hardware at rear, allows easy access to plumbing.

PRODUCT CODE:

**DSR**

DRINKING FOUNTAIN ROUND

**DSR****SPECIFICATIONS**

When specifying this product, please include the following details;

- Product **Name** and **Model No.**

**Melbourne**  
 Britex Place, Mirra Court  
 Bundoora  
 Victoria 3083  
 Telephone 1300 764 744  
 Fax (03) 9466 9044

**Sydney**  
 Unit 11, 16-18 Northumberland Rd  
 Taren Point  
 New South Wales 2229  
 Telephone 1300 764 744  
 Fax (02) 9531 2800

**OPTIONS**

- Cup filler.
- Height 750mm for Schools.

Represented in all states of Australia, throughout Asia and the Pacific Regions.

All product manufacturing by **BRITEX** can be adapted to suit your special application.

Allow 5mm tolerance for setout dimensions given in these drawings. Details accurate at time of print.

As **BRITEX** is always committed to improving on design and quality, it is possible that some details may alter without notice.



**BRITEX**  
 STAINLESS STEEL FABRICATED PRODUCTS

SINCE  
1938

[www.britex.com.au](http://www.britex.com.au)

e-mail [info@britex.com.au](mailto:info@britex.com.au)

A.B.N. 83 004 309 737