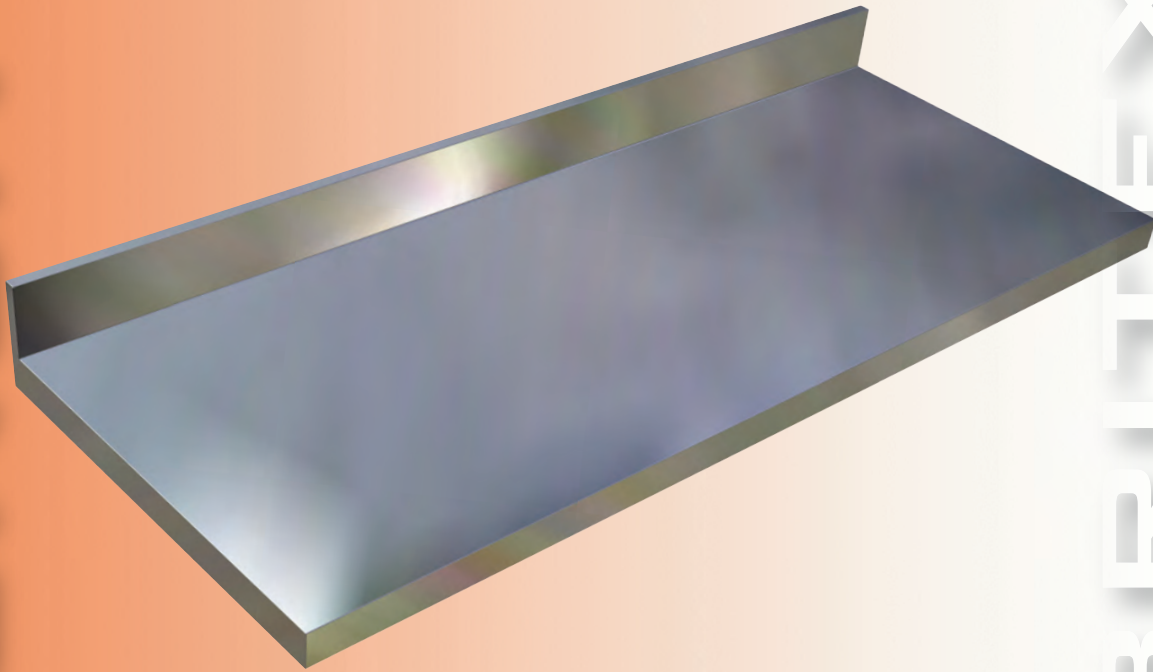


DRY BENCH TOPS

FEATURES;

- 1.2mm, 1.6mm or 2.0mm thickness.
- Grade 304 or 316 stainless.
- No. 4 Satin Finish
- Choice of substrate to suit application.
- Mountable on legs, cupboards or wall brackets.
- Choice of Upstand and Fascia type and height.



BRITEX

DRY BENCH

80

BRITEX Dry Bench Tops are generally fabricated from 1.2mm or 1.6mm type 304 or type 316 acid resisting stainless steel and comes in a satin finish. Benching can be fabricated to any width and length, with a variety of standard Fascia type and thickness, and Upstand type and thickness available. Benching can be bonded with particleboard, HMR, Melamine, Galvanised Angle or Stainless Tube frame substrate, depending on application requirements.

PRODUCT CODE:

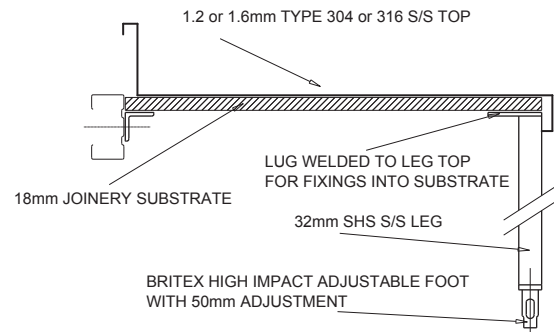
DRY BENCH TOPS

DRY AREA BENCH TOPS.

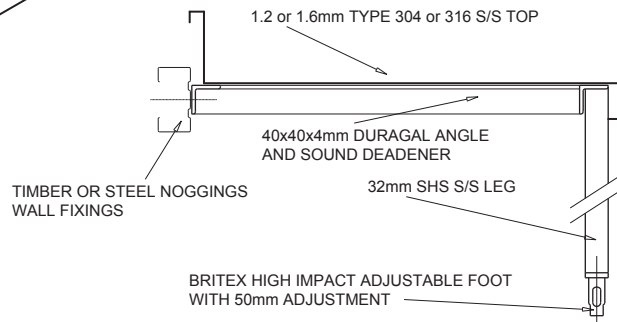
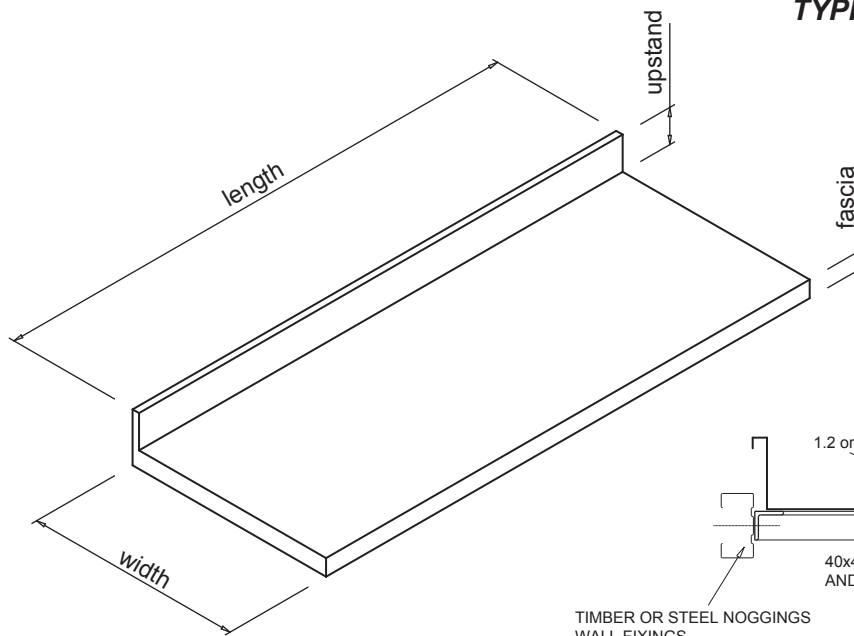
Britex standard construction;

1.2mm or 1.6mm type 304 or 316 acid resisting Stainless Steel bench top backed with 18mm HMR substrate. Substrate can be lined with either Melamine Veneer or with 0.9mm Stainless Steel sheet.

Wall fixings through 40 x 40 x 5mm Aluminium angle to rear.



TYPICAL DRY BENCH TOP



DRY BENCH TOP FOR WET AREAS

SPECIFICATIONS.

When specifying this product,
Refer to: "How to Specify" Page 76

OPTIONS.

- Available in custom sizes.
- Radius corners.

Melbourne

Britex Place, Mirra Court
Bundoora
Victoria 3083
Telephone 1300 764 744
Fax (03) 9466 9044

Sydney

Unit 11, 16-18 Northumberland Rd
Taren Point
New South Wales 2229
Telephone 1300 764 744
Fax (02) 9531 2800



BRITEX SINCE 1938
STAINLESS STEEL FABRICATED PRODUCTS

www.britex.com.au

e-mail info@britex.com.au

A.B.N. 83 004 309 737

Represented in all states of Australia, throughout Asia and the Pacific Regions.

All product manufacturing by **BRITEX** can be adapted to suit your special application.

Allow 5mm tolerance for setout dimensions given in these drawings. Details accurate at time of print.

As **BRITEX** is always committed to improving on design and quality, it is possible that some details may alter without notice.