

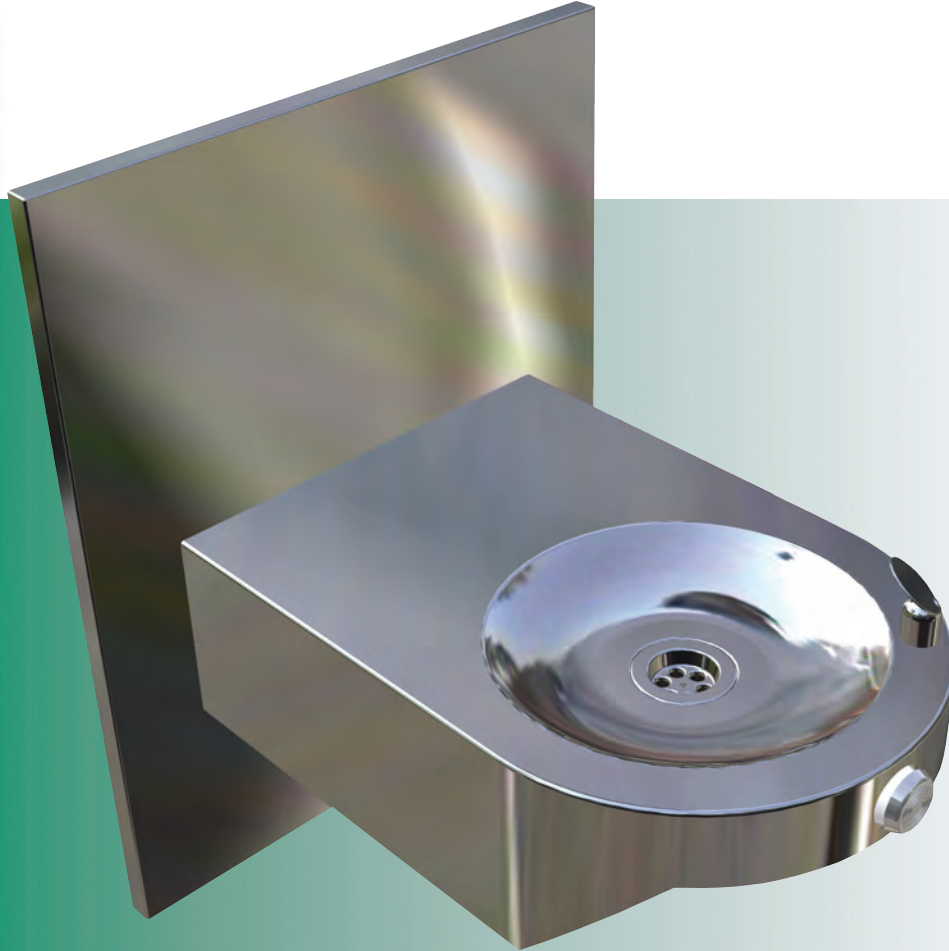
# DADO DRINKING FOUNTAIN SINGLE ROUND

## FEATURES;

- Radiused corners.
- Disabled compliant.
- Vandal resistant.
- Concealed plumbing.
- Easy to install.
- Easy to operate.
- Modern design.



AS-1428.2-1992  
COMPLIANT

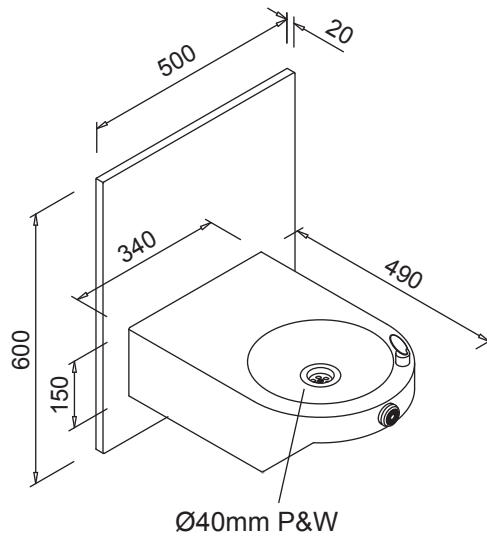
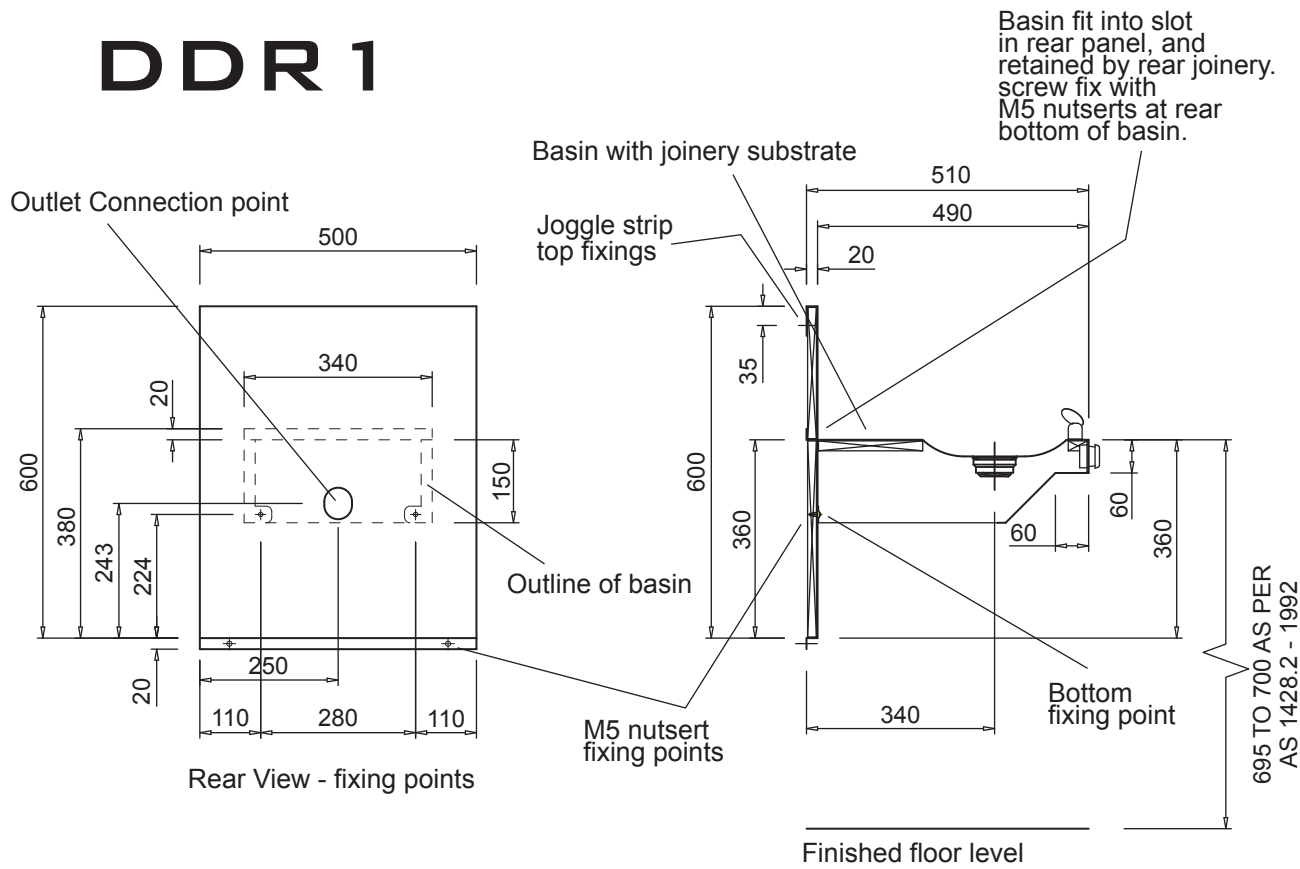


# BRITEX

## DDR1

The **BRITEX Dado Single Drinking Fountain Round** is manufactured from type 304 stainless steel. It is available as either a double unit, or single as shown. Both units come complete with hygienic hooded mouthpiece and push button bubbler activator. The base of the fountains can be fully covered, concealing all plumbing, if required. Also available in 'Slim' model for narrow hallways.

# DDR 1



DADO DRINKING FOUNTAIN SINGLE ROUND

DDR 1

## SPECIFICATIONS

When specifying this product, please include the following details;

- Product **Name** and **Model No.**
- Product **Features.**

## OPTIONS

- Double or Single Unit.
- Refrigerated.
- Cup filler.

**Melbourne**  
 Britex Place, Mirra Court  
 Bundoora  
 Victoria 3083  
 Telephone 1300 764 744  
 Fax (03) 9466 9044

**Sydney**  
 Unit 11, 16-18 Northumberland Rd  
 Taren Point  
 New South Wales 2229  
 Telephone 1300 764 744  
 Fax (02) 9531 2800



www.britex.com.au

e-mail [info@britex.com.au](mailto:info@britex.com.au)  
 A.B.N. 83 004 309 737

Represented in all states of Australia, throughout Asia and the Pacific Regions.  
 All product manufacturing by **BRITEX** can be adapted to suit your special application.  
 Allow 5mm tolerance for setout dimensions given in these drawings. Details accurate at time of print.  
 As **BRITEX** is always committed to improving on design and quality, it is possible that some details may alter without notice.