

CLEANER'S SINK

FEATURES;

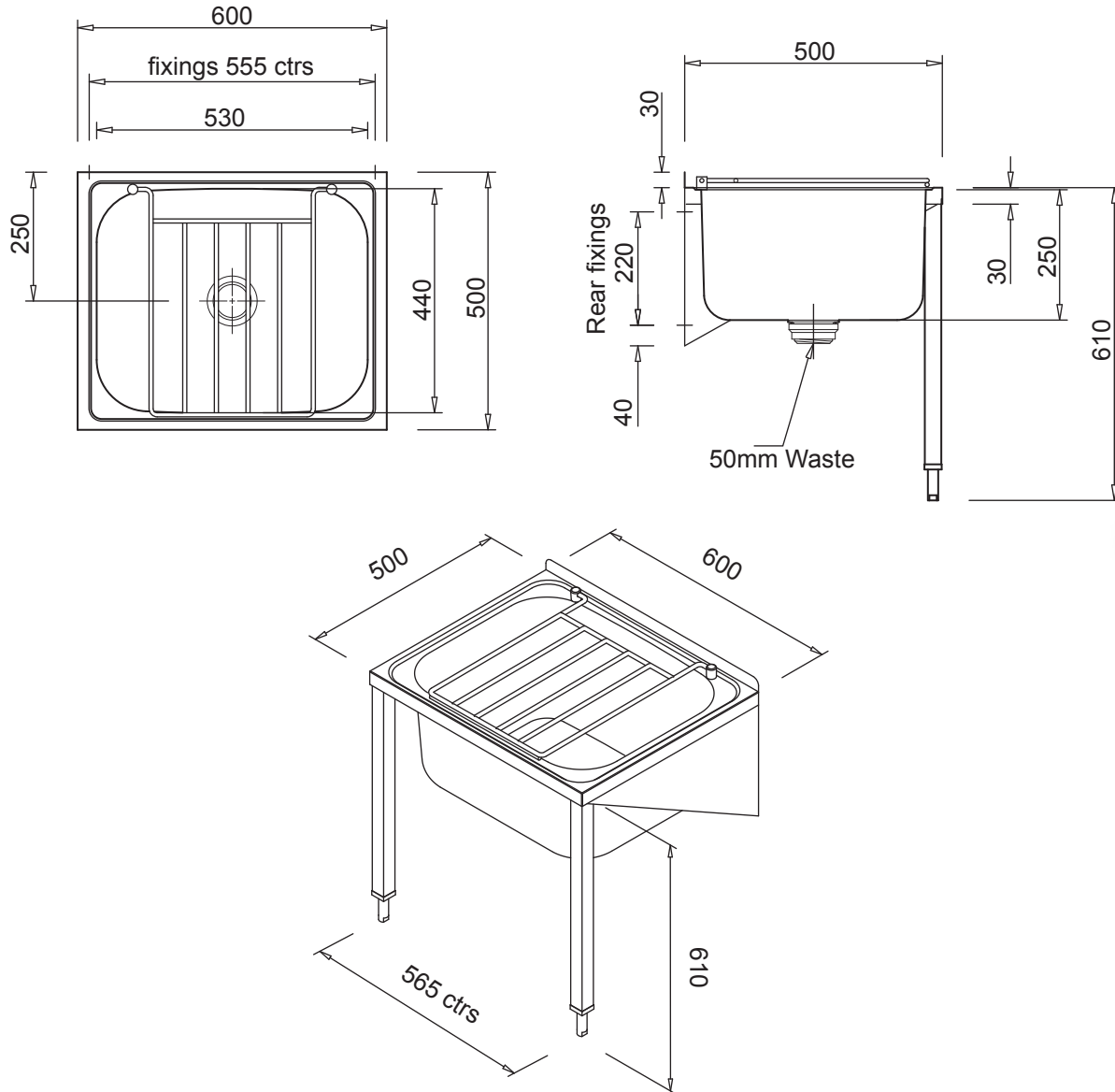
- Robust stainless steel.
- One Piece, easy to install.
- Brackets or leg supports.
- Ideal for commercial use.
- Lift up grate.



BRITEX

The **BRITEX Cleaner's Sink** consists of a large tub with a robust metal hinged grate placed over the tub for support and storage of buckets etc. This is an extremely sturdy, heavy duty product especially designed to handle significant wear and tear with ease. The Cleaner's Sink is available with either cantilevered wall brackets (Model CS-B), or with cantilevered brackets and adjustable front legs (Model CS-L).

PRODUCT CODE:

CSB (WITH WALL BRACKETS ONLY)**CSL** (WITH WALL BRACKETS AND LEGS)

SPECIFICATIONS.

When specifying this product, please include the following details;

- Product **Name** and **Model No.**

OPTIONS.

- Splashback Panel.

Melbourne

Britex Place, Mirra Court
Bundoora
Victoria 3083
Telephone 1300 764 744
Fax (03) 9466 9044

Sydney

Unit 11, 16-18 Northumberland Rd
Taren Point
New South Wales 2229
Telephone 1300 764 744
Fax (02) 9531 2800



BRITEX SINCE 1938
STAINLESS STEEL FABRICATED PRODUCTS

www.britex.com.au

e-mail info@britex.com.au

A.B.N. 83 004 309 737

Represented in all states of Australia, throughout Asia and the Pacific Regions.

All product manufacturing by **BRITEX** can be adapted to suit your special application.

Allow 5mm tolerance for setout dimensions given in these drawings. Details accurate at time of print.

As **BRITEX** is always committed to improving on design and quality, it is possible that some details may alter without notice.