

# SHOWER SPINE

## FEATURES;

- Fully hand made.
- Vandal resistant.
- Wall mount.
- 'Water Saving' shower.
- Easy fit.



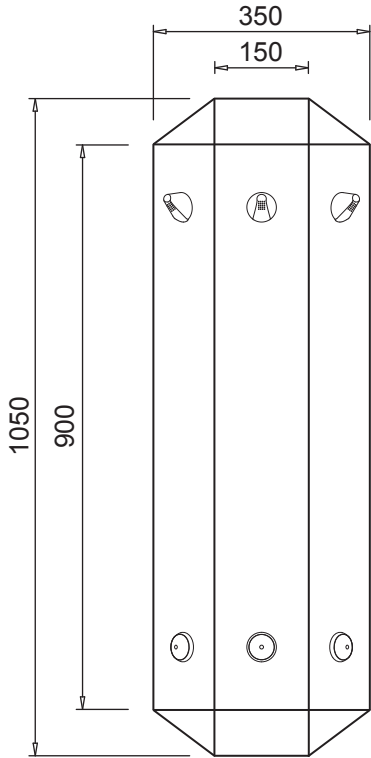
# BRITEX

# BSS

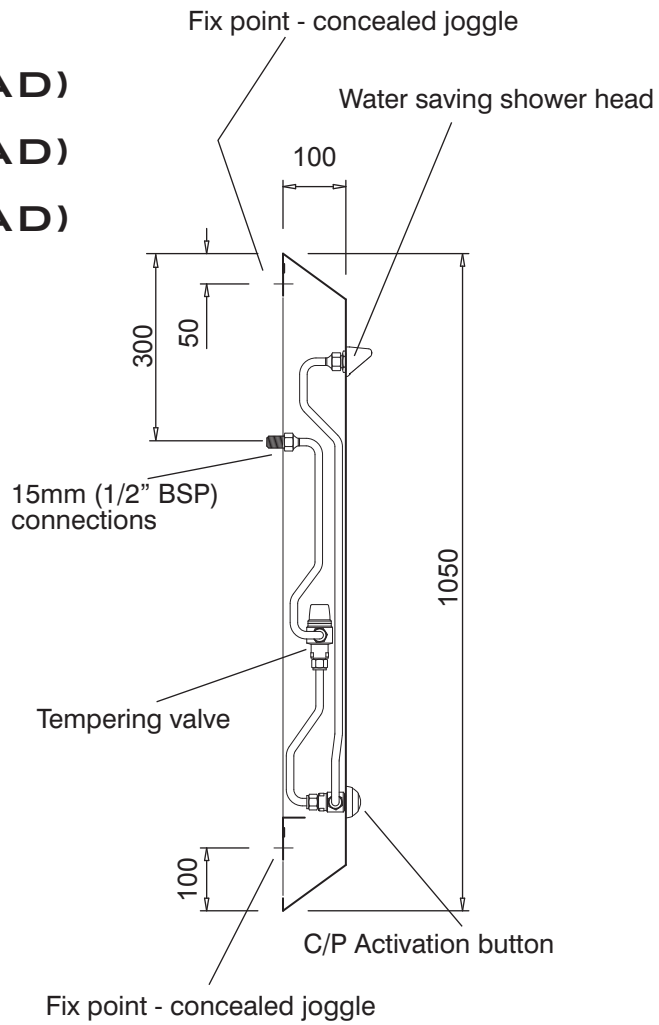
**BRITEX Shower Spine** is slim lined and designed to be unobtrusive, durable, and simple to install. They are available with hot & cold, or cold only configurations. The unit is fabricated from heavy duty type 304 Stainless Steel, and the hot & cold model is supplied with a tempering valve which is concealed behind the wall to stop tampering.

**PRODUCT CODE:**

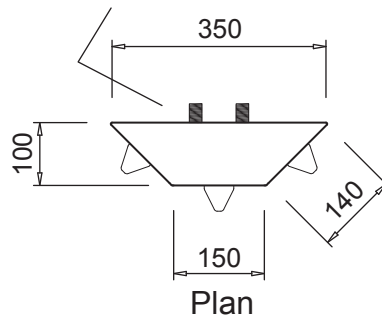
- BSS 1 - (1 HEAD)**
- BSS 2 - (2 HEAD)**
- BSS 3 - (3 HEAD)**



Front Elevation



15mm (1/2" BSP) Water connections



Plan

**SPECIFICATIONS.**

When specifying this product, please include the following details;

- Product **Name** and **Model No.**
- Product **Features.**

**OPTIONS.**

- Tapware.

**Melbourne**  
 Britex Place, Mirra Court  
 Bundoora  
 Victoria 3083  
 Telephone 1300 764 744  
 Fax (03) 9466 9044

**Sydney**  
 Unit 11, 16-18 Northumberland Rd  
 Taren Point  
 New South Wales 2229  
 Telephone 1300 764 744  
 Fax (02) 9531 2800



**BRITEX**  
 STAINLESS STEEL FABRICATED PRODUCTS

SINCE 1938

[www.britex.com.au](http://www.britex.com.au)

e-mail [info@britex.com.au](mailto:info@britex.com.au)

A.B.N. 83 004 309 737

Represented in all states of Australia, throughout Asia and the Pacific Regions.  
 All product manufacturing by **BRITEX** can be adapted to suit your special application.  
 Allow 5mm tolerance for setout dimensions given in these drawings. Details accurate at time of print.  
 As **BRITEX** is always committed to improving on design and quality, it is possible that some details may alter without notice.

SHOWER SPINE