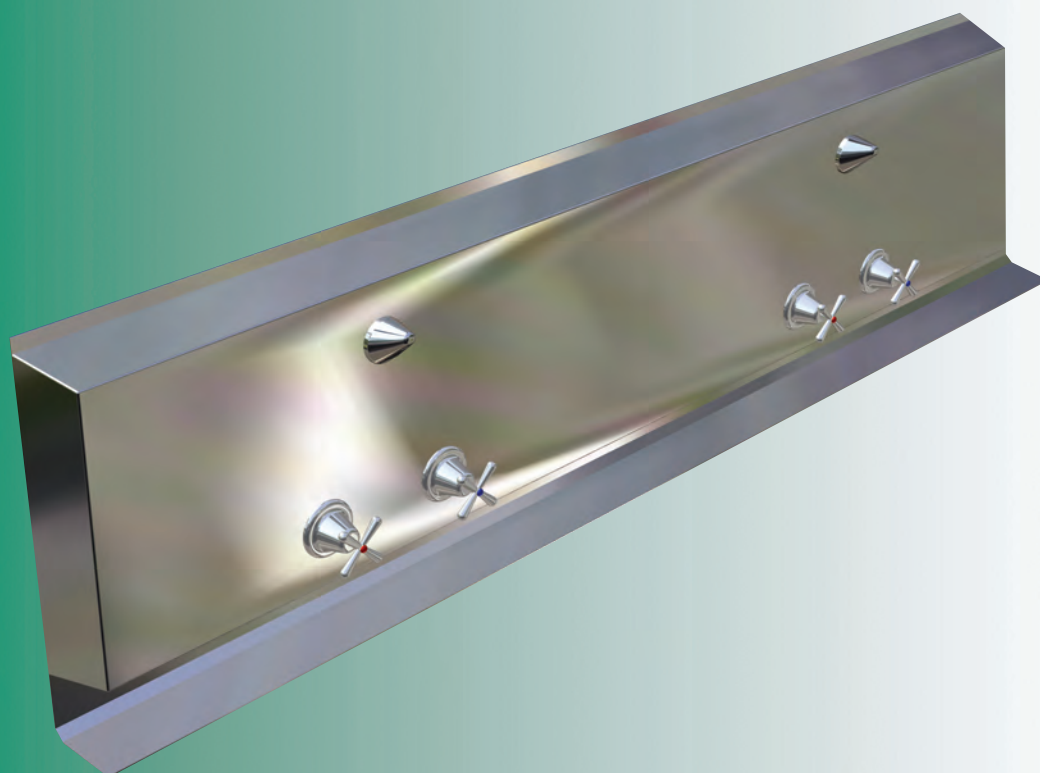


# SHOWER PANEL

## FEATURES;

- Fully hand made.
- Vandal resistant.
- Freestanding or wall mount.
- "Water Saving" shower head.
- Easy fit design.
- Inbuilt soap tray.



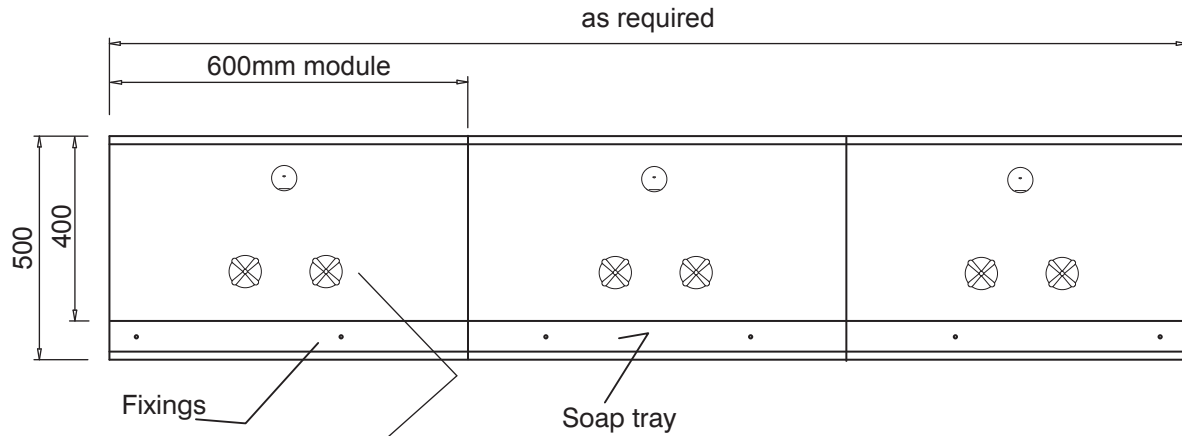
# BRITEX

## BSP

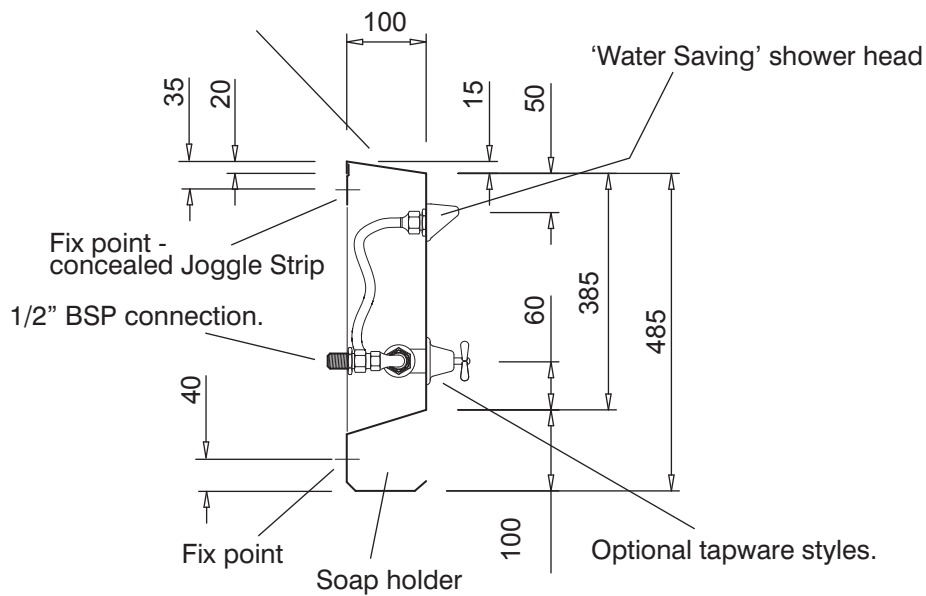
**BRITEX Shower Panel** are modular units for easy installation, but can be manufactured to any length to suit requirements. As with all Britex products, the shower column is also supplied with water saving features, resulting in a robust, efficient, and attractive product.

PRODUCT CODE:

# BSP



1/2" BSP Hot & Cold entry (male) at breech rear



BSP

## SPECIFICATIONS

When specifying this product, please include the following details;

- Product **Name** and **Model No.**
- Product **Features.**
- Product **Dimensions.**
- **No. of Shower Heads.**

## OPTIONS

- Tapware.

**Melbourne**  
 Britex Place, Mirra Court  
 Bundoora  
 Victoria 3083  
 Telephone 1300 764 744  
 Fax (03) 9466 9044

**Sydney**  
 Unit 11, 16-18 Northumberland Rd  
 Taren Point  
 New South Wales 2229  
 Telephone 1300 764 744  
 Fax (02) 9531 2800



**BRITEX**  
 SINCE 1938  
 STAINLESS STEEL FABRICATED PRODUCTS

www.britex.com.au

e-mail [info@britex.com.au](mailto:info@britex.com.au)

A.B.N. 83 004 309 737

Represented in all states of Australia, throughout Asia and the Pacific Regions.

All product manufacturing by **BRITEX** can be adapted to suit your special application.

Allow 5mm tolerance for setout dimensions given in these drawings. Details accurate at time of print.

As **BRITEX** is always committed to improving on design and quality, it is possible that some details may alter without notice.

SHOWER PANEL