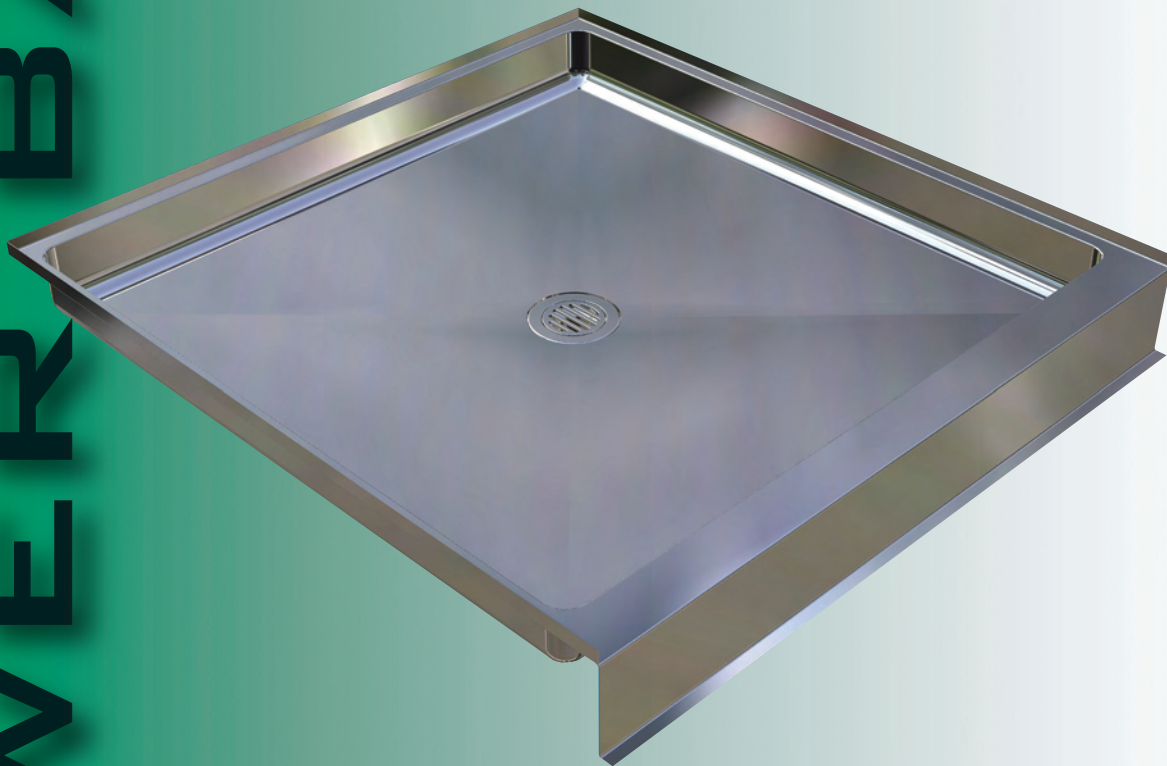


SHOWER BASES

FEATURES;

- Fully hand made.
- Custom sizes available.
- Available in multiples.



BRITTEX

BSB

BRITEX Shower Bases are manufactured from type 304 stainless steel. Fully hand made construction enables positioning of waste, and waste size as required. The bases are available in multiple configurations - see **BSBM** Page 102.

PRODUCT CODES:

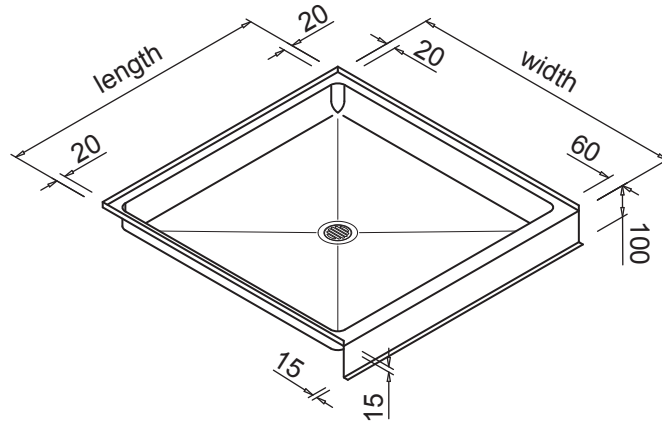
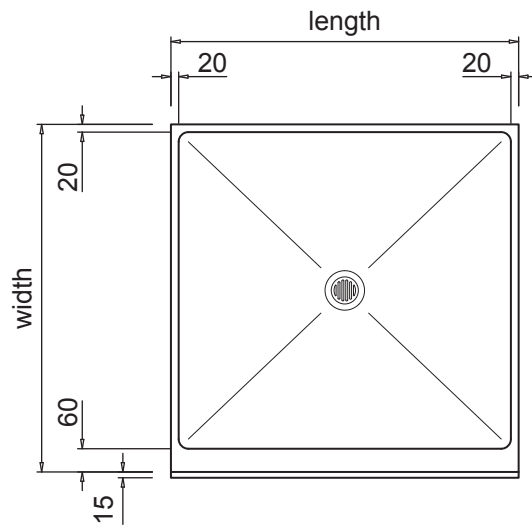
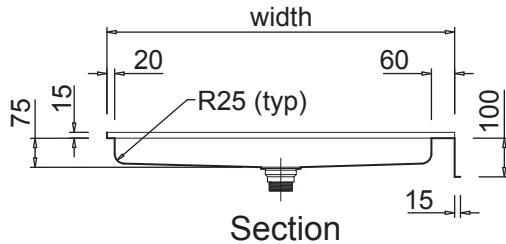
BSB1 - 750x750

BSB2 - 900x900

BSB3 - 1000x1000

BSB4 - 1200x1000

BSB5 - 1200x1200

**BSB****SPECIFICATIONS**

When specifying this product, please include the following details;

- Product **Name** and **Model No.**
- Product **Features.**

OPTIONS

- Fascia style available.
- Disabled model available.
- Alternate waste position.

Melbourne
Britex Place, Mirra Court
Bundoora
Victoria 3083
Telephone 1300 764 744
Fax (03) 9466 9044

Sydney
Unit 11, 16-18 Northumberland Rd
Taren Point
New South Wales 2229
Telephone 1300 764 744
Fax (02) 9531 2800



BRITEX
STAINLESS STEEL FABRICATED PRODUCTS

SINCE
1938

www.britex.com.au

e-mail info@britex.com.au
A.B.N. 83 004 309 737

Represented in all states of Australia, throughout Asia and the Pacific Regions.

All product manufacturing by **BRITEX** can be adapted to suit your special application.

Allow 5mm tolerance for setout dimensions given in these drawings. Details accurate at time of print.

As **BRITEX** is always committed to improving on design and quality, it is possible that some details may alter without notice.