

BABY BATH

FEATURES;

- Fully reversible.
- Custom sizes available.
- Available integrated into benchtops.

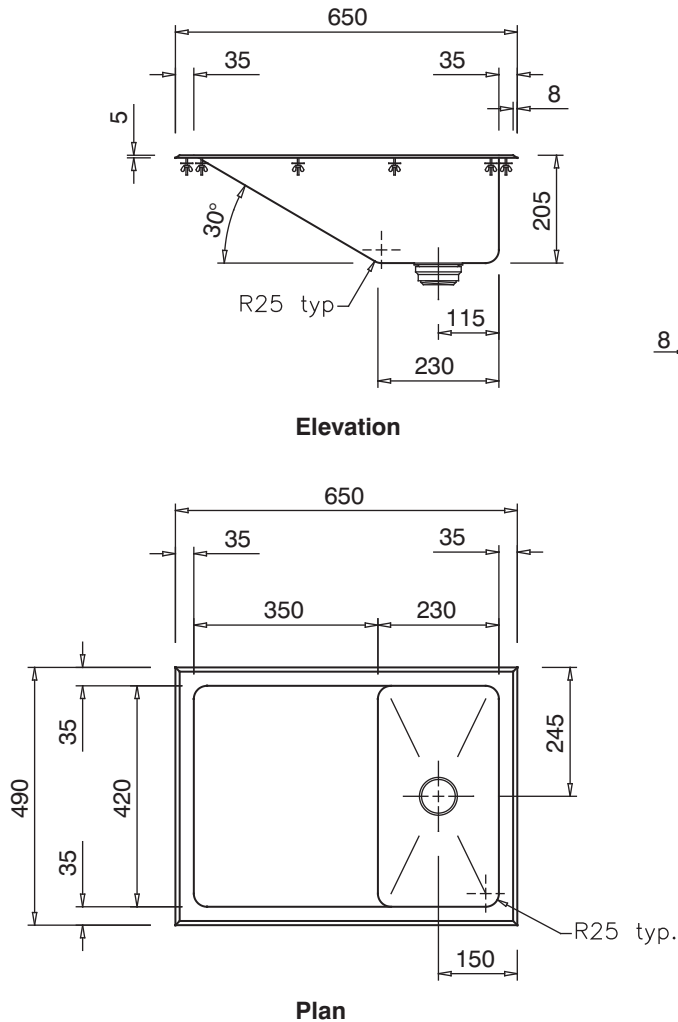


BRITEX

BB1

The **BRITEX BB1 Baby Bath** is manufactured from type 304, 1.2mm stainless steel. All Baby Baths are complete with 50mm waste outlet and can be offered complete with draining board or integrated into a benchtop as project requirements state.

PRODUCT CODE:

BB 1

Cut out size for standard model:
615x450mm

SPECIFICATIONS

When specifying this product, please include the following details;

- Product **Name** and **Model No.**
- Product **Features.**

OPTIONS

- Integrated in benchtop.
- Fascia style available.

Melbourne
Britex Place, Mirra Court
Bundoora
Victoria 3083
Telephone 1300 764 744
Fax (03) 9466 9044

Sydney
Unit 11, 16-18 Northumberland Rd
Taren Point
New South Wales 2229
Telephone 1300 764 744
Fax (02) 9531 2800



BRITEX
STAINLESS STEEL FABRICATED PRODUCTS

www.britex.com.au

e-mail info@britex.com.au
A.B.N. 83 004 309 737

Represented in all states of Australia, throughout Asia and the Pacific Regions.
All product manufacturing by **BRITEX** can be adapted to suit your special application.
Allow 5mm tolerance for setout dimensions given in these drawings. Details accurate at time of print.
As **BRITEX** is always committed to improving on design and quality, it is possible that some details may alter without notice.