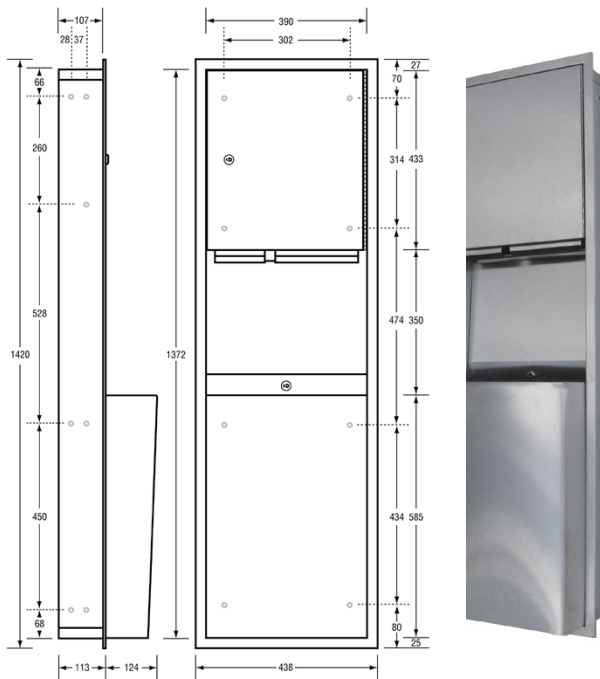


BTX-03-020
Recessed 3 in 1 Paper/Auto Hand Dryer/Waste

DISPENSES 300 interfold or 500 interleaved standard roll
DISPOSAL 26L removable S.S. waste container
SIZE W330 x H1660 x D185mm
WALL OPENING W290 x H1620 x D175mm

BTX-03-021 (Shown) S.S. Recessed
BTX-03-021 S.S. Semi Recessed
BTX-03-022 S.S. Surface Mount
BTX-03-023 S.S. Disabled Recessed
BTX-03-024 S.S. Disabled Surface Mount



BTX-03-010
Recessed Paper Towel Dispenser & Waste Receptacle

DISPENSES 600 C-fold paper towels or 800 Multi-fold paper towels
DISPOSAL 49L removable S.S. waste container
SIZE W438 x H1420 x D237mm
WALL OPENING W400 x H1390 x D110mm

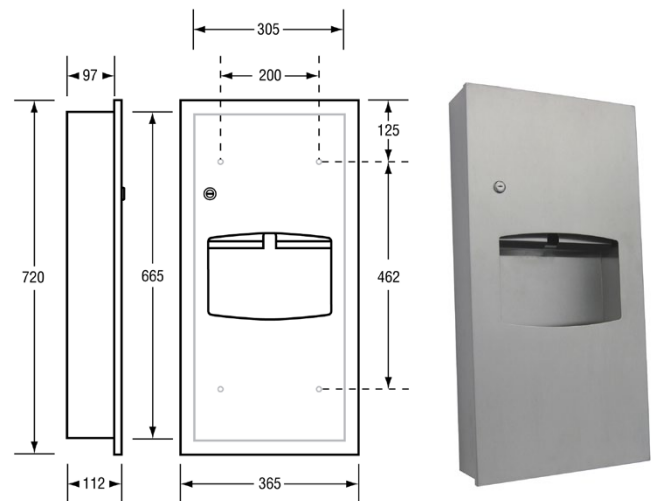
BTX-03-010 (Shown) S.S. Recessed
BTX-03-011 S.S. Surface Mount (Overall Size W438 x H1420 x D240mm)



BTX-03-012
Recessed Paper Towel Dispenser & Waste Receptacle

DISPENSES 600 C-fold paper towels or 800 Multi-fold paper towels
DISPOSAL 19L removable S.S. waste container
SIZE W333 x H1397 x D115mm
WALL OPENING W300 x H1365 x D108mm

BTX-03-012 (Shown) S.S. Recessed
BTX-03-013 S.S. Surface Mount
BTX-03-014 Same as BTX-03-012 except extra depth of D155mm (with a wall opening of D160mm) allowing for larger waste capacity of 22L
BTX-03-015 Same as BTX-03-013 except extra depth of D155mm allowing for larger waste capacity of 22L (Overall Size W333 x H1397 x D160mm)



BTX-03-016
Recessed Paper Towel Dispenser & Waste Receptacle

DISPENSES 350 C-fold paper towels or 475 Multi-fold paper towels
DISPOSAL 6.5L removable S.S. waste container
SIZE W365 x H720 x D112mm
WALL OPENING W325 x H685 x D105mm

BTX-03-016 (Shown) S.S. Recessed
BTX-03-017 S.S. Surface Mount
BTX-03-018 Recessed, 9L Waste Receptacle Only
BTX-03-019 Surface Mount, 9L Waste Receptacle Only (Overall Size W365 x H720 x D115mm)