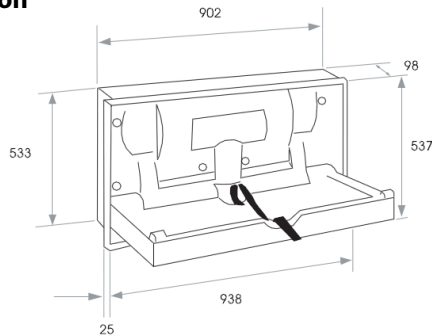


**BTX-09-012**  
**S.S. Surface Mounted Baby Changing Station**

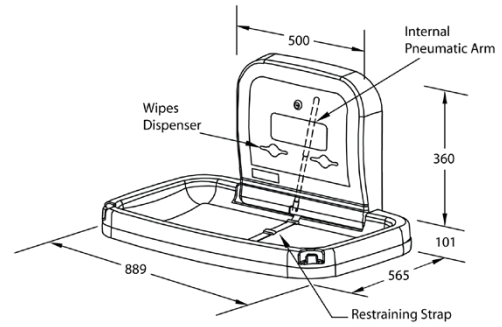


**BTX-09-013**  
**S.S. Surface Recessed Baby Changing Station**  
**WALL OPENING H493 x W882 x D92mm**

**FEATURES AND BENEFITS BTX-09-012/ BTX-09-013**

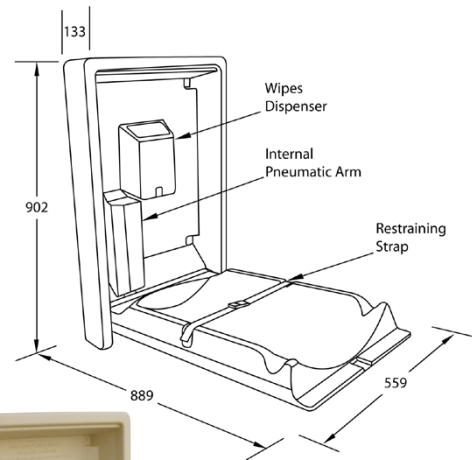
- Sleek, satin finish S.S. exterior
- Strong, vandal resistant design
- Built-in linear dispenser
- Easy to clean, polyethylene interior
- Safety belt adjustable with one hand
- Bag hooks on both sides for added convenience
- Weight capacity = 113kg

# BABY CHANGE TABLES



**BTX-09-010**  
**Horizontal Design Baby Changing Station**

**SIZE OPEN** W889 x H461 x D565mm  
**SIZE CLOSED** W889 x H565 x D101mm  
**CHANGING SURFACE** 442sq. inches



**BTX-09-011**  
**Vertical Design Baby Changing Station**

**SIZE OPEN** W559 x H902 x D889mm  
**SIZE CLOSED** W559 x H902 x D133mm  
**CHANGING SURFACE** 420sq. inches